

零件手册

Parts Manual

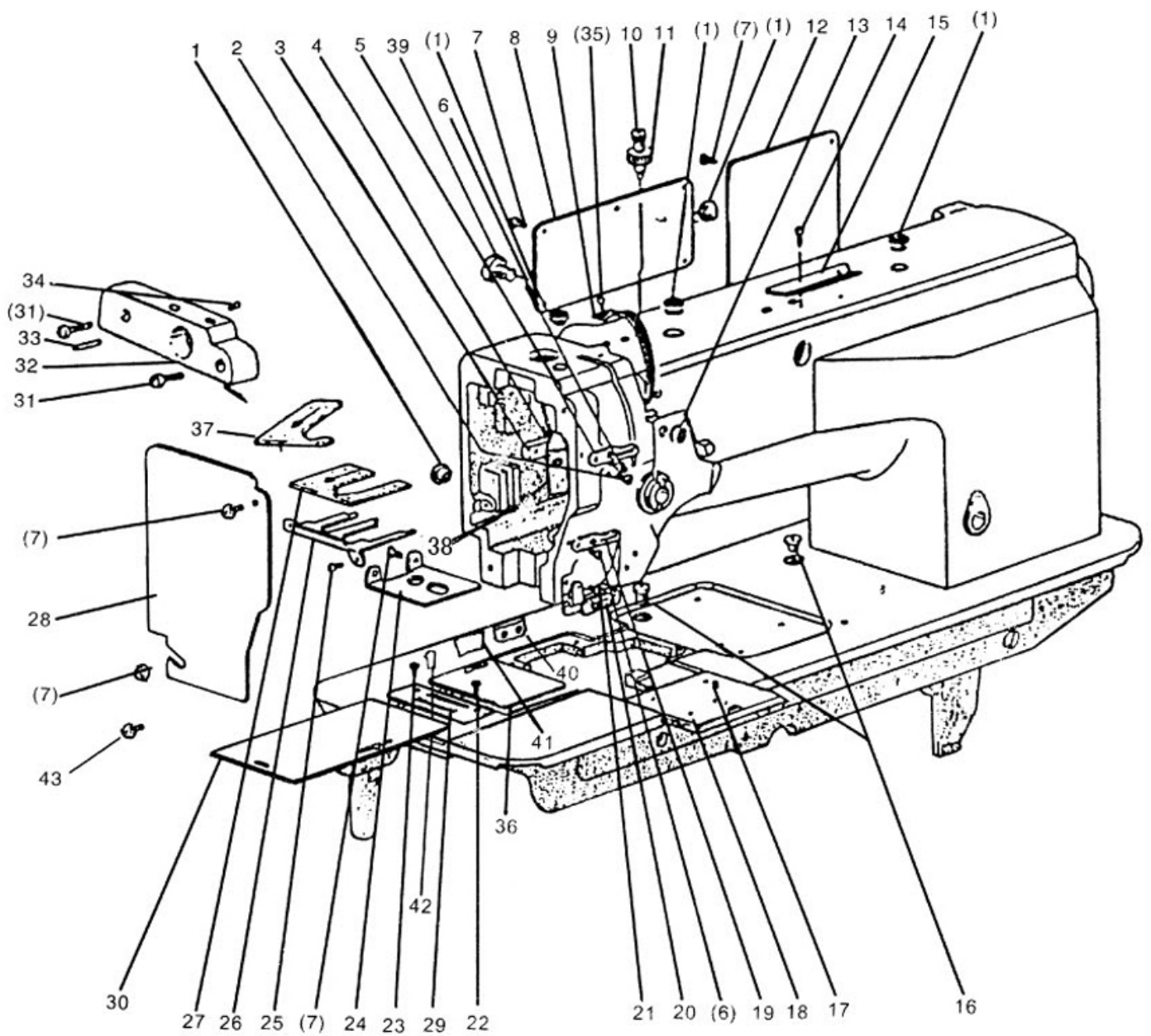
2052

双针自动供油平缝机

Double needle automatic oil supply flat sewing machine

零件样本
Parts Book

1、机壳部件
ARM BED AND IT'S ACCESSORIES

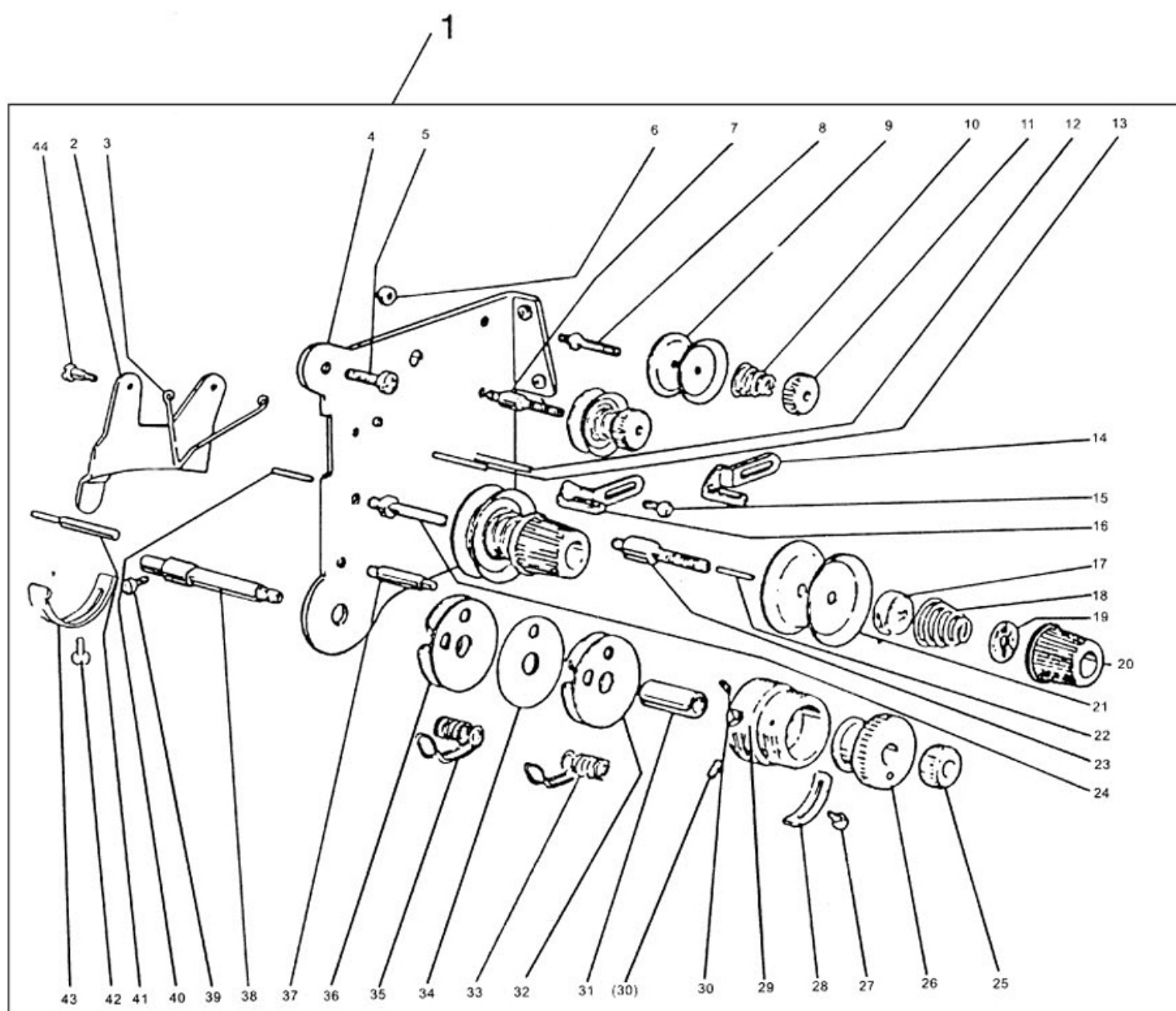


平缝系列>LS2052 LS2252> 1. 机壳部件 ARM BED AND IT'S ACCESSORIES

序号 NO	品号CODE	名称	NAME	数量 AMT					
				2052	2052	2052	2252	2252	2252
				-3	-5	H	-3	-5	H
1	PF20520101	橡皮塞	RUBBER PLUG	5	5	5	5	5	5
2	PF20520102	过线勾沉头螺钉	SCREW	2	2	2	2	2	2
3	PF20520103	挡油罩板垫块	SPACER	1	1	1	1	1	1
4	PF20520104	挡油罩板	OIL GUARD PLATE	1	1	1	1	1	1
5	PF20520105	线勾(上)	THREAD GUIDE	1	1	1	1	1	1
6	PF20520106	防油垫固定板螺钉	SCREW SM9/64"×40 L=6.5	2	2	2	2	2	2
7	PF20520107	后盖板螺钉组件	SCREW	14	14	14	14	14	14
8	PF20520108	后盖板(左)	SIDE COVER(LEFT)	1	1	1	1	1	1
9	PF20520109	挑线杆防护罩	THREAD TAKE-UP COVER	1	1	1	1	1	1
	PF22520109	挑线杆防护罩	THREAD TAKE-UP COVER				1	1	1
10	PF20520110	紧定螺钉	THUMB SCREW	1	1	1	1	1	1
11	PF20520111	调节螺母	SPECIAL NUT	1	1	1	1	1	1
12	PF20520112	后盖板(右)	SUDE COVER(RIGHT)	1	1	1	1	1	1
13	PF20520113	机头橡皮塞	RUBBER PLUG	1	1	1	1	1	1
14	PF20520114	线勾螺钉	SCREW SM11/64"×40 L=8	2	2	2	2	2	2
15	PF20520115	上过线板	THREAD GUIDE	1	1	1	1	1	1
16	PF20520116	油杯	CAP	2	2	2	2	2	2
17	PF20520117	紧定螺钉	SCREW SM13/64"×32 L=4	1	1	1	1	1	1
18	PF20520118	推板(前)组件	SLIDE PLATE COMPLETE	1	1	1	1	1	1
19	PF20520119	线勾(中)	THREAD GUIDE(MIDDLE)	1	1	1	1	1	1
20	PF20520120	线勾(下)	THREAD GUIDE(LOW)	1	1	1	1	1	1
21	PF20520106	圆注头螺钉	SCREW SM9/64"×40 L=6.5	1	1	1	1	1	1
22	PF6150138	针板螺钉	SCREW	1	1	1	1	1	1
23	PF20520123	针板螺钉(后)	SCREW SM9/64"×40 L=6.5	1	1	1	1	1	1
24	PF20520124	油线板	COVER	1	1	1	1	1	1
	PF22520124	盖板	COVER				1	1	1
25	PF555068	摆动连杆座螺钉	SCREW SM9/64"×40 L=7	2	2	2	2	2	2
26	PF20520126	油板	OIL GUARD PLATE	1	1	1	1	1	1
	PF22520126	油板	OIL GUARD PLATE				1	1	1
27	PF20520127	羊毛毡	FELT	1	1				
28	PF22520128	面板	FACE PLATE				1	1	1
	PF20520128	面板	FACE PLATE	1	1	1			
29	PF68425G02	针板(1/4)	NEEDLE LATE	1	1	1	1	1	1
	PF68725G02	针板(1/4) H	NEEDLE LATE			1			1
30	PF20520130	推板(左)	SLIDE PLATE(LEFT)	1	1	1	1	1	1
31	PF22520131	圆柱头螺钉	OIL GUARD PLATE SM11/64"×40 L=15				2	2	2
32	PF22520132	轴支架	SHAFT MOUNTING BRACKET				1	1	1
33	PF22520133	A型(圆锥销)	PIN				2	2	2
34	PF6150114	三眼线勾螺钉	SCREW SM11/64"×40 L=5.5				2	2	2
35	PF68425B27	挑线杆防护罩螺钉	SCREW SM1/4"×40 L=5				1	1	1
36	PF20520136	推板(右)	SLIDE PLATE(RIGHT)	1	1	1	1	1	1
	PF20520127	羊毛毡	FELT				1	1	1
38	PF20520138	挡油板	OIL SHIELD PLATE				1	1	1
39	PF20520139	螺钉	SCREW				1	1	
40	/	固定板	BASE FITTING PLATE	1	1	1	1	1	1
41	PF20520141	羊毛毡	FELT	1	1	1	1	1	1
42	PF68425A02	针板定位销	PIN	1	1	1	1	1	1
43	PF20520107	面板螺钉(下)	SCREW	1	1	1	1	1	1

2、夹线调节部件

THREAD TENSION REGULATOR MECHANISM



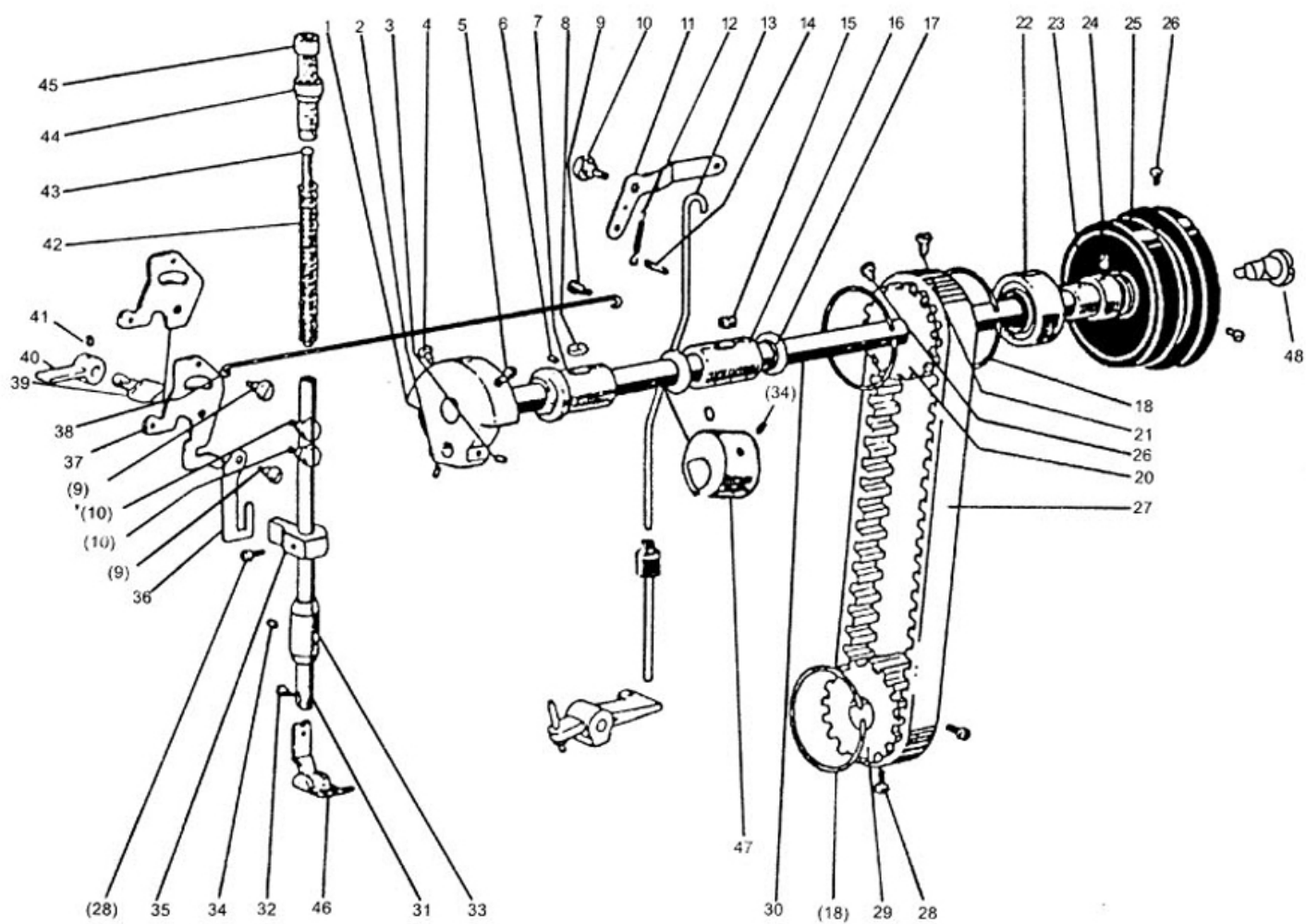
平缝系列>LS2052 LS2252>2. 夹线调节部件 THREAD TENSION REGULATOR MECHANISM

序号 NO	品号CODE	名称	NAME	数量 AMT					
				2052	2052	2052	2252	2252	2252
				-3	-5	H	-3	-5	H
1	PF20520201	夹线组件 -3	THREAD TENSION ARM.	1			1		
	PF2052020101	夹线组件 -5	THREAD TENSION ARM.		1	1		1	1
2	/	松线板	TENSION RELEASING PLATE	1	1	1	1	1	1
3	/	松线板压弹簧	TENSION RELEASING SPRING	1	1	1	1	1	1
4	/	夹线调节器安装板	MOUNTING PLATE	1	1	1	1	1	1
5	/	挑线杆防护罩螺钉	SCREW	2	2	2	2	2	2
6	/	螺母	NUT	2	2	2	2	2	2
	/	螺母	NUT				2	2	
7	/	夹线调节器螺钉	THREAD TENSION SPTING	1	1	1	1	1	1
8	/	夹线调节器螺钉	THREAD TENSION SPTING	1	1	1	1	1	1
9	/	夹线板	THREAD TENSION DISC	4	4	4	4	4	4
10	/	夹线弹簧	THREAD TENSION SPRING	2			2		
	/	夹线弹簧	THREAD TENSION SPRING		2	2		2	2
11	/	夹线螺母	THUMB NUT	2	2	2	2	2	2
12	/	过线销	PIN	2	2	2	2	2	2
13	/	夹线定位板销	PIN	1	1	1	1	1	1
14	/	线勾 -5	GHREAD GUIDE			1			1
15	/	面板线勾螺钉	SCREW	1	1	1	1	1	1
16	/	夹线调节器线勾	GHREAD GUIDE	1	1	1	1	1	1
17	/	松线板	THREAD TENSION RELEASING PLATE	2	2	2	2	2	2
18	/	夹线弹簧 -3	THREAD TENSION SPRING	2			2		
	/	夹线弹簧 -5	THREAD TENSION SPRING		2	2		2	2
19	/	夹线螺母止动板	THUMB NUT REVOLUTION STOPPER	2	2	2	2	2	2
20	/	夹线螺母小组件	THUMB NUT COMPLETE	2	2	2	2	2	2
21	/	夹线板	THREAD TENSION COMPLETE	4	4	4	4	4	4
22	/	过线钉	PIN	1			1		
	/	过线钉	PIN		1	1	1	1	1
23	/	夹线调节螺钉	THREAD TENSION STUD	1	1	1	1	1	1
24	/	夹线调节螺钉	THREAD TENSION STUD	1	1	1	1	1	1
25	/	螺母	THUMB NUT	1	1	1	1	1	1
26	/	套筒	TAKE-UP SPRING GUIDE	1	1	1	1	1	1
27	/	圆柱头螺钉	SCREW	1	1	1	1	1	1
28	/	止动块	STOPPER	1	1	1	1	1	1
29	/	导向套	THREAD TENSION POST	1	1	1	1	1	1
30	/	紧定螺钉	SCREW SM1/8"×44 L=3.9	2	2	2	2	2	2
31	/	轴套	BUSHING	1	1	1	1	1	1
32	/	过线板组件	PLATE COMPLETE	1	1	1	1	1	1
33	/	挑线簧	THREAD TAKE-UP SPRING	1	1	1	1	1	1
34	/	过线板	PLATE	1	1	1	1	1	1
35	/	挑线簧	THREAD TAKE-UP SPRING	1	1	1	1	1	1
36	/	过线板组件	PLATE COMPLETE	1	1	1	1	1	1
37	/	阶梯螺钉	SCREW	1	1	1	1	1	1
38	/	阶梯轴螺钉	THREAD TENSION STUD	1	1	1	1	1	1

39	PF6150812	摆动连杆轴螺钉	SCREW	1	1	1	1	1	1
40	/	过线钉	PIN	1			1		
	/	过线钉	PIN		1	1		1	1
41	PF20520241	松线钉	TENSION RELEASING PIN	1	1	1	1	1	1
42	PF20520102	圆柱头螺钉	SCREW SM9/64"×40 L=6.5	2	2	2	2	2	2
43	PF20520243	止动块	STOPPER	1	1	1	1	1	1
44		松线板螺钉	SCREW	2	2	2	2	2	2

3、上轴压脚部件

UPPER SHAFT PRESSER FOOT MECHANISM



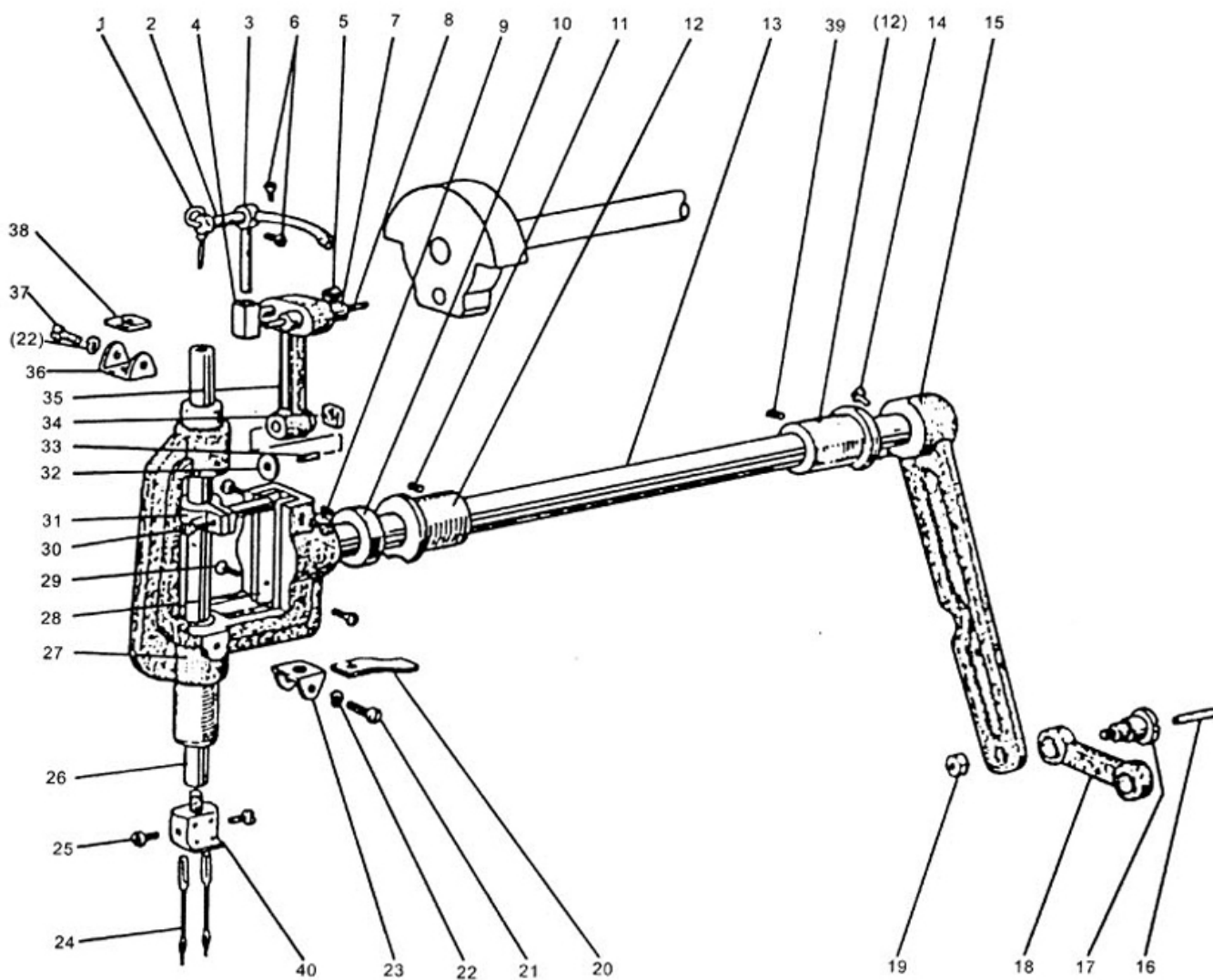
平缝系列>LS2052 LS2252>3.上轴压脚部件 UPPER SHAFT PRESSER FOOT MECHANISM

序号 NO	品号CODE	名称	NAME	数量 AMT						
				2052	2052	2052	2252	2252	2252	
				-3	-5	H	-3	-5	H	
1	PF20520301	针杆曲柄	NEEDLE BAR CRANK COMPLETE	1	1					
	PF2052H0301	针杆曲柄	NEEDLE BAR CRANK COMPLETE			1				
	PF22520301	针杆曲柄	NEEDLE BAR CRANK COMPLETE				1	1	1	
2	PF6150304	上轴紧圈螺钉	SCREW SM1/4"×40 L=8	1	1	1	1	1	1	1
3	PF5550625	挑线曲柄定位螺钉	SCREW SM1/4"×40 L=6	1	1	1	1	1	1	1
4	PF6150214	针杆曲柄螺钉	SCREW SM9/32"×28 L=13	1	1	1	1	1	1	1
5	PF6150215	针杆曲柄定位螺钉	SCREW	1	1	1	1	1	1	1
6	PF555022	挑线杆定位螺钉	SCREW	1	1	1	1	1	1	1
7	PF20520307	上轴轴套(左)	ARM SHAFT BUSHING COMPLETE (LEFT)	1	1	1	1	1	1	1
8	PF20520308	羊毛毡	FELT	2	2	2	2	2	2	2
9	PF615079	铰链螺钉	SCREW	1	1	1	1	1	1	1
10	PF20520310 (PF6150714)	膝控提升杠杆(右) 螺钉	SCREW	3	3	3	3	3	3	3
11	PF20520311	膝控提升杠杆(右)	KNEE LIFTER LEVER (RIGHT)	1	1	1	1	1	1	1
12	PF20520312	膝控提升杠杆(右) 弹簧	KNEE LIFTER LEVER (RIGHT) SPRING	1	1	1	1	1	1	1
13	PF20520313	膝控提升连杆	KNEE LIFTER CONNECTING	1	1	1	1	1	1	1
14	PF6150716	弹簧销	SPRING PIN	1	1	1	1	1	1	1
15	PF6150815	羊毛毡	FELT	2	2	2	2	2	2	2
16	PF20520316	上轴轴套(中)	ARM SHAFT BUSHING COMPLETE (MIDDLE)	1	1	1		1		
17	PF030229	上轴油封	OIL SEAL	2	2	2		2		
18	/	弹簧挡圈	SPRING FLANGE	3	3	3	3	3	3	3
19	/	同步带轮螺钉	SCREW SM15/64"×28 L=10	2	2	2	2	2	2	2
20	PF20520802	同步带轮	PULLEY	1	1	1	1	1	1	1
21	PF6150619A	倒缝探线杆曲柄螺钉	SCREW	1	1	1	1	1	1	1
22	PF20520322	轴承	BUSHING	1	1	1	1	1	1	1
23	PF20520323	轴套	BUSHING	1	1	1	1	1	1	1
24	PF6150610	轴套螺钉	SCREW SM15/64"×28 L=10	2	2	2	2	2	2	2
25	PF20520325	主动轮	PULLEY	1	1	1	1	1	1	1
26	PF205250802	主动轮螺钉	SCREW SM15/64"×28 L=12	2	2	2	2	2	2	2
27	PF20520327	同步带	COG BELT	1	1	1	1	1	1	1
28	PF6150610	同步带轮螺钉	SCREW SM15/64"×28 L=10	2	2	2	2	2	2	2
29	PF20520329	同步带轮	PULLEY	1	1	1	1	1	1	1
30	PF20520330	上轴	ARM SHAFT	1	1	1	1	1	1	1
31	PF20520331	压紧杆	PRESSER BAR	1	1	1	1	1	1	1
32	PF20520332	圆柱头螺钉	SCREW	1	1	1	1	1	1	1
33	PF20520333	压紧杆轴套	PRESSER BAR GUIDE BRACKET	1	1	1	1	1	1	1
34	PF6150326	上轴轴套(中)螺钉	SCREW SM15/64"×28 L=10	2	1	2	3	3	3	3
35	PF20520335	压紧杆导架	PRESSER BAR GUIDE BRACKET	1	1	1	1	1	1	1
36	PF20520336	操纵杆	OPERATION PLATE	1	1	1	1	1	1	1
37	PF20520337	膝控提升杠杆(左)	KNEE LIFTER LEVER (LEFT)	1	1	1	1	1	1	1
38	PF20520338	膝控提升拉杆	KNEE LIFTER ROD	1	1	1	1	1	1	1
39	PF20520339	压紧杆提升凸轮	DRESSER BAR LIFTINA CAM	1	1	1	1	1	1	1
40	PF20520340	压脚板手	PRESSER BAR LIFT	1	1	1	1	1	1	1

41	PF6150114	三眼线勾螺钉	SCREW SM11/64"×40 L=5.5	2	2	2	2	2	2
42	PF555044	压紧杆弹簧	PRESSER BAR SPRING	1	1	1	1	1	1
43	PF20520343	压紧杆弹簧导柱	PRESSER BAR SPRING GUIDE	1	1	1	1	1	1
44	PF20520344	调压螺钉锁紧螺母	SPECIAL NUT	1	1	1	1	1	1
45	PF20520345	调压螺钉	SCREW	1	1	1			
	PF22520345	调压螺钉(黑)	SCREW				1	1	1
46	PF68425G05	压脚组件	PRESSER FOOT COMPLETE(1/4)	1	1		1	1	
	PF68725G05	压脚组件	PRESSER FOOT COMPLETE(1/4)			1			1
47	PF22520347	平衡偏心轮	BALANCE ECCENTRIC WHEEL				1	1	1
48	无使用	上轴轴端螺钉	SCREW SM11/32"×28	1	1	1	1	1	1

4、针杆挑线部件

THREAD TAKE-UP LEVER NEEDLE BAR ROCK MOTION MECHANIS



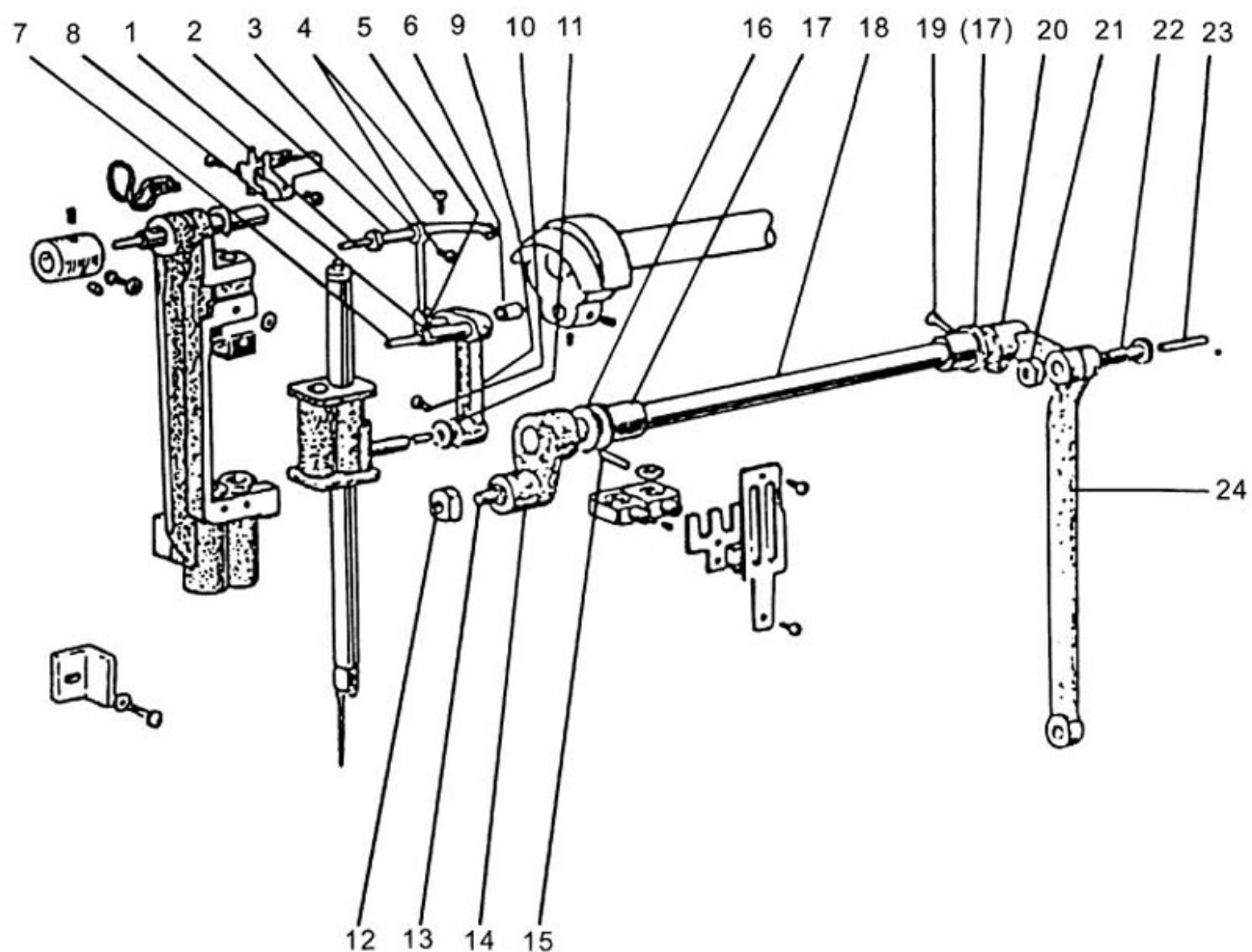
平缝系列>LS2052 LS2252>4.针杆挑线部件

THREAD TAKE-UP LEVER NEEDLE BAR ROCK MOTION MECHANIS

序号 NO	品号CODE	名称	NAME	数量 AMT					
				2052	2052	2052	2252	2252	2252
				-3	-5	H	-3	-5	H
1	PF5550627	棉线	OIL WICK	1	1	1	1	1	1
2	PF20520402	挑线杆铰链轴	THREAD TAKE-UP GUIDE BRACKET PIN	1	1	1	1	1	1
3	PF20520403	挑线杆 32H	THREAD TAKE-UP LEVER	1	1				
	PF2052H0403	挑线杆 33H	THREAD TAKE-UP LEVER			1			
4	PF20520404	挑线杆滑块 5.5	THREAD TAKE-UP LINK	1	1				
	PF2052H0404	滑杆 4.76	THREAD TAKE-UP LINK			1	1	1	1
5	/	滑杆塞子	PLUG	1	1	1	1	1	1
6	PF555022	主动轮螺钉	SDREW SM15/64"×28 L=12	3	3	3	3	3	3
7	PF20520407	挑线曲柄连杆轴	NEEDLE BAR CRANK PIN	1	1	1	1	1	1
8	/	滑杆棉线	OIL WICK	1	1	1	1	1	1
9	PF5550625	挑线曲柄定位螺钉	SCREW SM1/4"×40 L=6	1	1	1	1	1	1
10	PF20520410	紧圈	COLLER COMPLETE	1	1	1	1	1	1
11	PF6150610	压紧杆导架螺钉	SCREW SM15/64"×28 L=7	1	1	1	1	1	1
12	PF20520412	针杆架摆动轴轴套	NEEDLE BAR ROCK SHAFT BUSHING	2	2	2	2	2	2
13	/	针杆摇动轴	NEEDLE BAR ROCK SHAFT	1	1	1	1	1	1
14	PF0302646	压脚曲柄(右)螺钉	SCREW SM1/4"×24 L=16	1	1	1	1	1	1
15	PF20520415	针杆摇动轴曲柄	NEEDLE BAR ROCK SHAFT CRANK	1	1	1	1	1	1
16	PF6150627	油线	OIL WICK	1	1	1	1	1	1
17	PF20520417	圆柱头螺钉	SCREW	1	1	1	1	1	1
18	PF20520418	针杆摇动轴曲柄连杆	LINK	1	1	1	1	1	1
19	PF20520419	六角螺母	NUT	1	1	1	1	1	1
20	PF20520420	羊毛毡	FELT	1	1	1	1	1	1
21	PF20521129	圆柱头螺钉	SCREW SM1/8"×44 L=4.8	2	2	2	2	2	2
22	/	弹簧垫圈	WASHER	4	4	4	4	4	4
23	PF20520423	保持架	HOLDER	1	1	1	1	1	1
24	PFDTDP514	机针 14#	NEEDLE	2					
	PFDTDP519	机针 19#	NEEDLE		2			2	
	PFDTDP522	机针 22#	NEEDLE			2			2
25	/	圆柱头螺钉	SCREW SM9/64"×40 L=3	2	2	2	2	2	2
26	/	针杆	NEEDLE BAR	1	1	1	1	1	1
27	PF20520427	针杆架	NEEDLE BAR ROCK FRAME	1	1	1	1	1	1
28	/	垫片	WASHER	2	2	2	2	2	2
29	/	沉头螺钉	SCREW SM3/32"×56 L=4	4	4	4	4	4	4
30	/	圆柱头螺钉	SCREW SM9/64"×40 L=8.5	1	1	1	1	1	1
31	/	针杆接头	NEEDLE BAR CONNECTING STUD	1	1	1	1	1	1
32	PF20520432	垫片	WASHER	1	1	1	1	1	1
33	/	羊毛毡	FELT	1	1	1	1	1	1
34	/	针杆接头滑块	SQUARE BLOCK	1	1	1	1	1	1
35	/	挑线连杆	THREAD TAKE-UP LINK	1	1	1	1	1	1
36	PF20520436	保持架	HOLDER	1	1	1	1	1	1
37	PF20521129	圆柱头螺钉	SCREW SM1/8"×44 L=3.5	2	2	2	2	2	2
38	PF20520438	羊毛毡	FELT	1	1	1	1	1	1
39	PF6150326	上轴轴套(中)螺钉	SCREW SM15/64"×28 L=10	1	1	1	1	1	1
40	PF68425G01	机针夹头	HOLDER	1	1	1	1	1	1

5、针杆挑线部件

THREAD TAKE-UP LEVER NEEDLE BAR ROCK MOTION MECHANIS

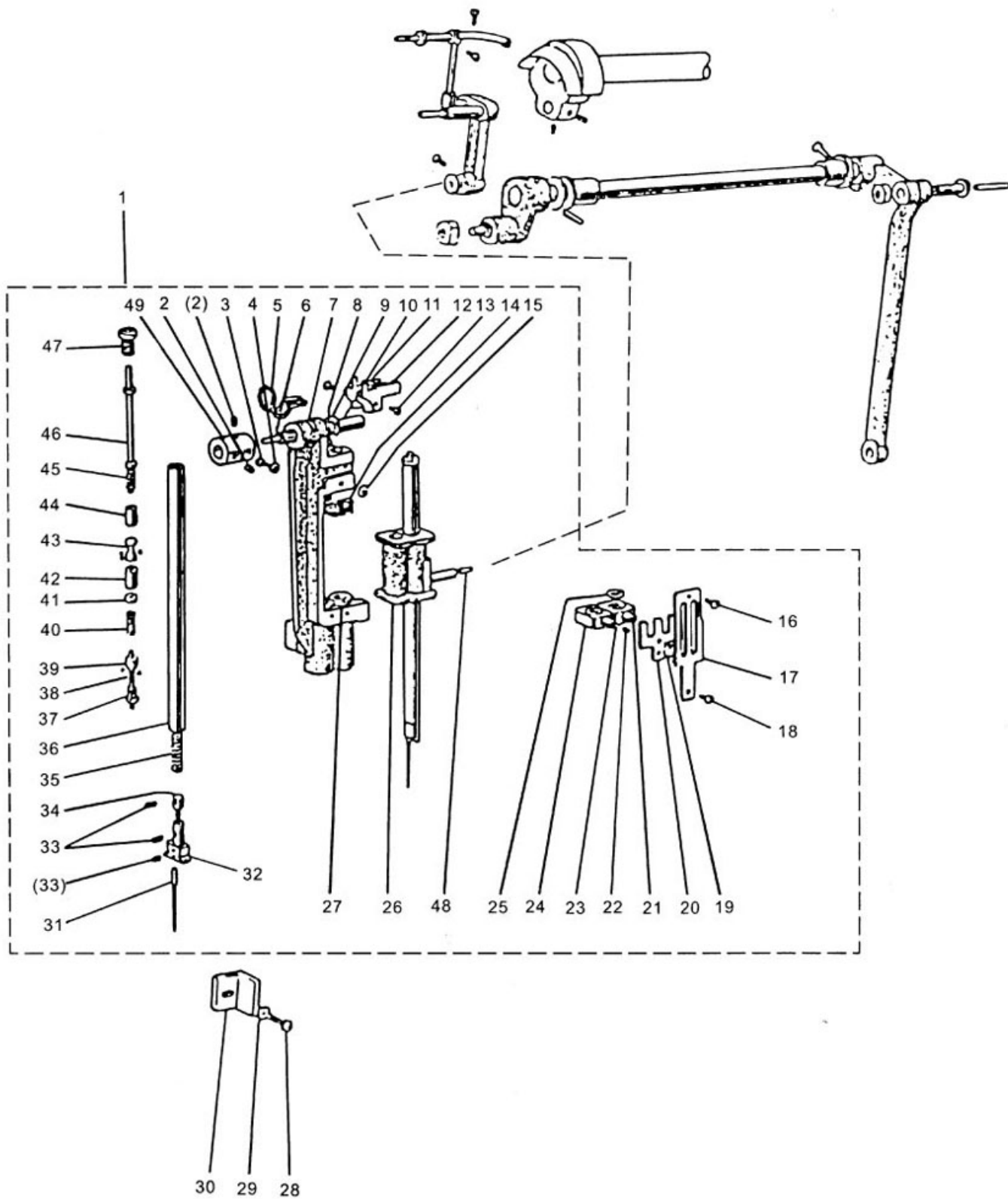


平缝系列>LS2052 LS2252>5.针杆挑线部件

THREAD TAKE-UP LEVER NEEDLE BAR ROCK MOTION MECHANIS

序号 NO	品号CODE	名称	NAME	数量 AMT					
				2052	2052	2052	2252	2252	2252
				-3	-5	H	-3	-5	H
1	PF6150627	棉线	OIL WICK				1	1	1
2	PF20520402	挑线杆铰链轴	THREAD TAKE-UP GUIDE BRACKET PIN				1	1	1
3	PF22520503	挑线杆 34H	THREAD TAKE-UP LEVER				1	1	
	PF2252050301	挑线杆 35H	THREAD TAKE-UP LEVER						1
4	PF555022	主动轮螺钉	SCREW SM15/64"×28 L=12				3	3	3
5	PF22520505	滑杆	THREAD TAKE-UP LINK				1	1	1
6	/	滑杆塞子	PLUG				1	1	1
7	PF6150627	连杆轴棉线	OIL WICK				1	1	1
8	PF20520407	挑线曲柄连杆轴	NEEDLE BAR CRANK PIN				1	1	1
9	PF22520509	挑线连杆	THREAD TAKE-UP LINK				1	1	1
10	PF6150812	压脚螺钉	SCREW SM9/64"×40 L=11				1	1	1
11	PF22520511	套筒	TAKE-UP SPING GUIDE				1	1	1
12	PF22520512	滑块	SLIDE BLOCK				1	1	1
13	PF22520513	支撑轴螺钉	SCREW				1	1	1
14	PF22520514	针杆摆动曲柄(左)	NEEDLE BAR VIBRATING CRANK(LEFT)				1	1	1
15	PF22520515	压脚摆动曲柄(左)锥销	PIN				1	1	1
16	PF22520516	垫片	WASHER				1	1	1
17	PF20520517	针杆架摆动轴轴套	NEEDLE BAR ROCK SHAFT BUSHING				1	1	1
18	PF22520518	针杆摆动曲柄轴	NEEDLE BAR				1	1	1
19	PF0302646	压脚曲柄(右)螺钉	SCREW SM1/4"×24 L=16				1	1	1
20	PF22520520	针杆摆动曲柄(右)	NEEDLE BAR VIBRATING CRANK(RIGHT)				1	1	1
21	PF20520419	六角螺母	NUT				1	1	1
22	PF20520417	圆柱头螺钉	SCREW				1	1	1
23	PF6150627	油线	OIL WICK				1	1	1
24	PF22520524	连杆	LINK				1	1	1

6、针杆调节 NEEDLE BAR

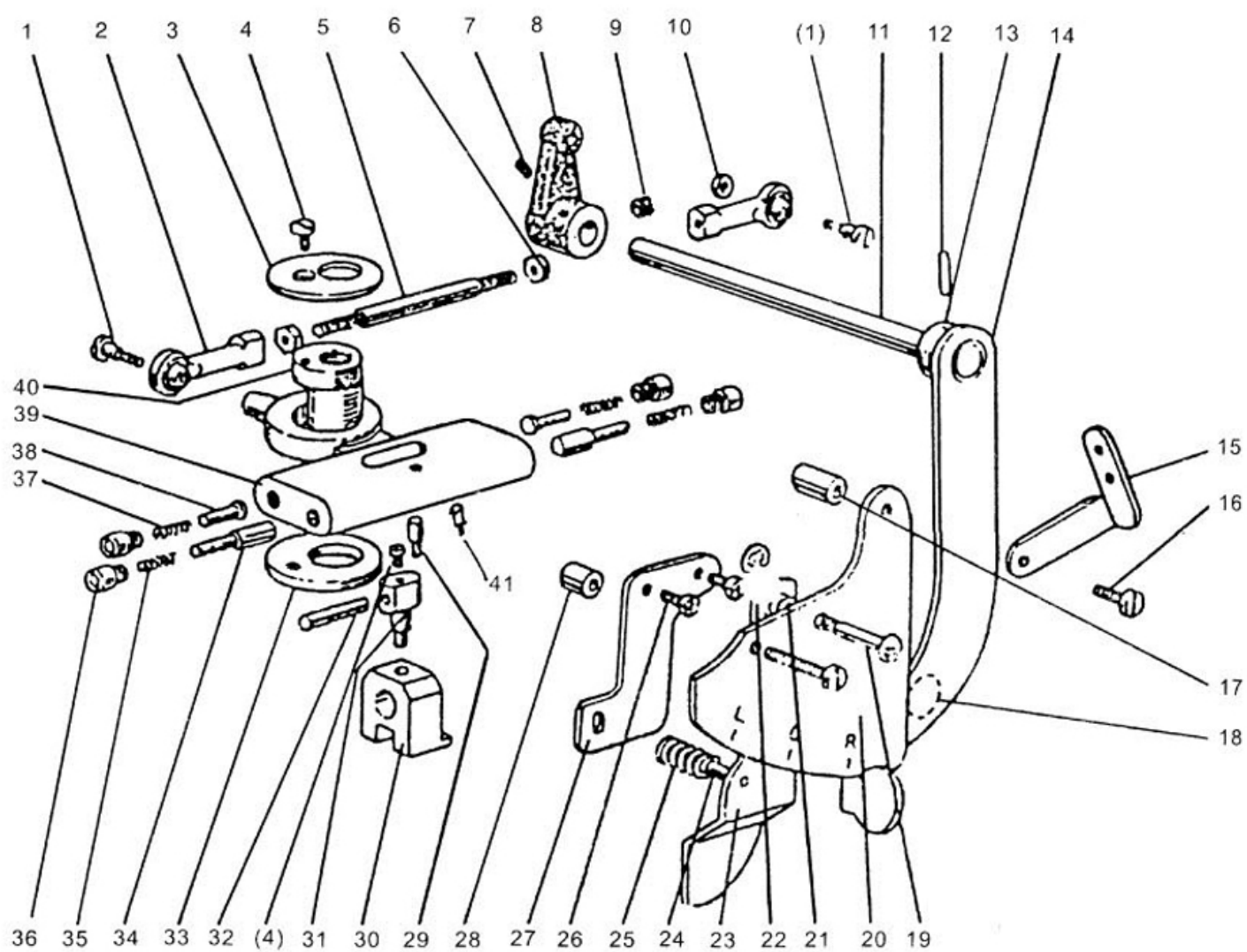


平缝系列>LS2052 LS2252>6.针杆调节 NEEDLE BAR

序号 NO	品号CODE	名称	NAME	数量 AMT					
				2052	2052	2052	2252	2252	2252
				-3	-5	H	-3	-5	H
1	PF22520601	针杆支架组件	NEEDLE BAR ROCK SHAFT ASSY				1	1	1
2	PF6150405	送布轴轴套螺钉	SCREW SM15/64"×28 L=4.5				2	1	1
3	/	螺钉	SCREW SM9/64"×40 L=6				1	1	1
4	/	板簧	SPING				1	1	1
5	/	油线	OIL WICK				1	1	1
6	/	油线	OIL WICK				1	1	1
7	/	针杆支架	NEEDLE BAR ROCK SHAFT				1	1	1
8	/	弹簧销	SPING PIN				1	1	1
9	PFHC-E7	E型挡圈	RETAINING RING				1	1	1
10	PF22520610	变换曲柄轴	CHANGE OVER CRANK SHAFT				1	1	1
11	/	油管夹	HOLDER				1	1	1
12	/	油管夹	HOLDER				1	1	1
13	/	圆柱头螺钉	SCREW SM9/64"×40 L=4				1	2	1
14	/	止动块	STOPPER				2	1	1
15	/	检测器架垫圈	WASHER				1	1	1
16	/	圆柱头螺钉	SCREW SM9/64"×40 L=6.5				1	1	1
17	/	导向板	GUILD PLATE				1	1	1
18	/	盘头螺钉	SCREW SM9/64"×40 L=5				1	1	1
19	/	沉头螺钉	SCREW SM3/32"×56 L=4.2				1	2	1
20	/	支架	BAR ROCK SHAFT				2	1	1
21	/	针杆夹头	HOLDER				1	1	1
22	/	内六角紧定螺钉	SCREW SM9/64"×40 L=3.5				1	2	1
23	/	铜塞	COPPER TUCK				2	2	1
24	/	针杆夹头	HOLDER				1	1	1
25	/	垫片	WASHER				4	4	1
26	/	针杆夹头	HOLDER				1	1	1
27	/	针杆	NEEDER BAR				2	2	1
28	PF22520628	六角带槽螺栓	SCREW				1	1	1
29	/	垫片	WASHER				1	1	1
30	PF22520630	针杆导向块	NEEDLE GUIDE CAKE				2	2	1
31	/	机针	NEEDLE				2		1
	/	机针	NEEDLE					2	2
32	/	机针夹头	SCREW				2	2	2
33	/	紧定螺钉	SCREW SM1/8"×44 L=3.9				3	3	3
34	/	止动块	STOPPER				2	2	2
35	/	弹簧	SPING				2	2	2
36	/	针杆	NEEDLE BAR				2	2	2
37	/	三角销螺栓	SCREW				2	2	2
38	/	钢球	BALL BEARING				12	12	12
39	/	滚筒	ROLLER				2	2	2
40	/	弹簧	SPING				2	2	2
41	/	六角螺母	NUT				2	2	2
42	/	特殊螺母	NUT				2	2	2
43	/	特殊销	PIN				2	2	2
44	/	套筒	BUSH				2	2	2

45	/	弹簧	SPING				2	2	2
46	/	阶梯销	BUSH				2	2	2
47	/	特殊螺钉	SCREW				1	1	1
48	/	羊毛毡	FELT				1	1	1
49	PF22520649	套筒	BUSH				1	1	1

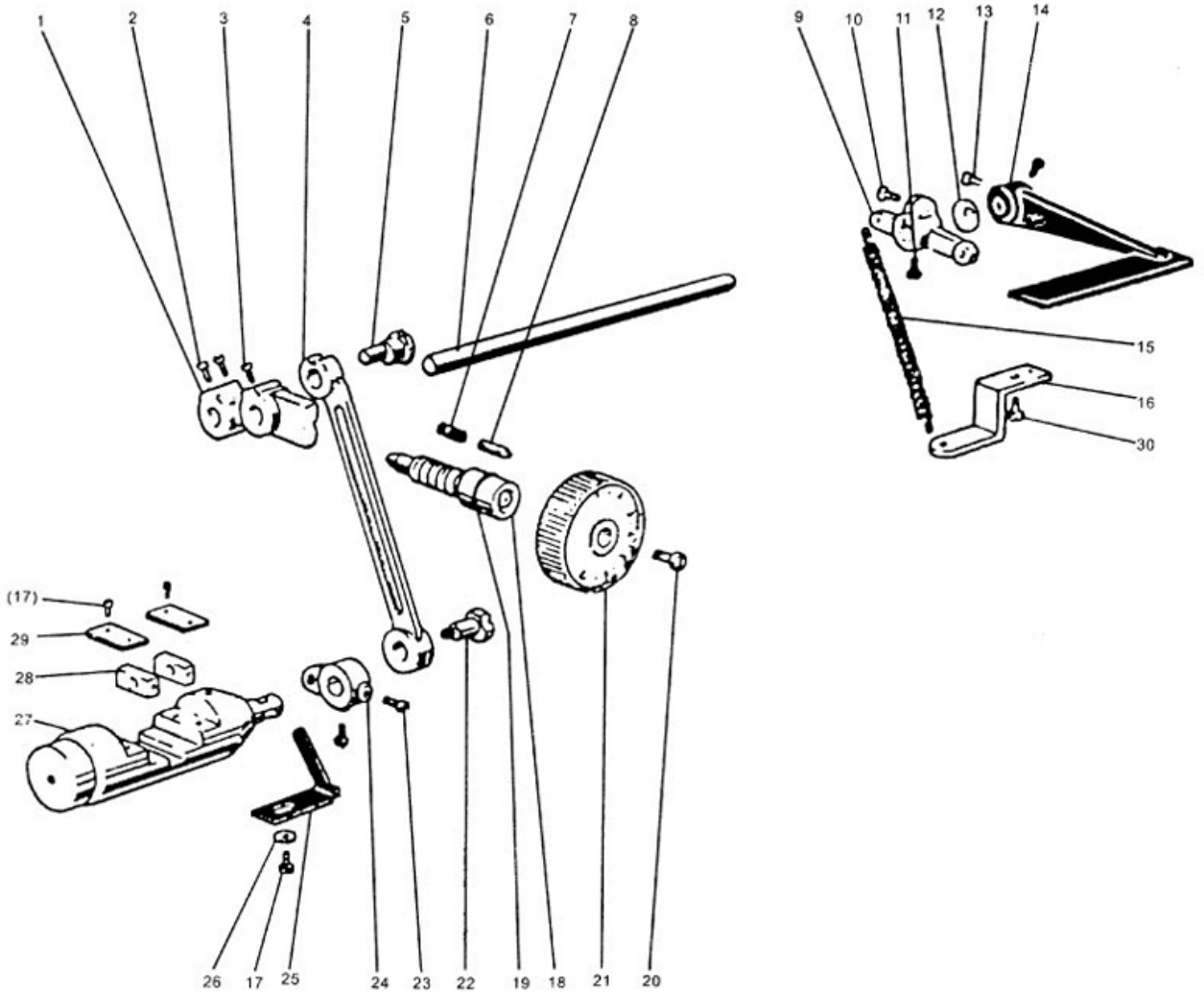
7、针杆变换机构部件



平缝系列>LS2052 LS2252>7.针杆变换机构部件 NEEDLE BAR FLIP-UP MECHANISM

序号 NO	品号CODE	名称	NAME	数量 AMT					
				2052	2052	2052	2252	2252	2252
				-3	-5	H	-3	-5	H
1	PF22520701	销螺钉	SCREW				2	2	2
2	PF22520702	万向拉杆	CONNECTION LINK				2	2	2
3	PF22520703	盖板	COVER				1	1	1
4	PF5550635	偏心连杆轴螺钉	SCREW SM9/64"×40 L=6.5				1	1	1
5	PF22520705	双头螺杆	SCREW				1	1	1
6	PF8520608	螺母	NUT				2	2	2
7	PF6150114	三眼线勾螺钉	SCREW SM11/64"×40 L=5.5				1	1	1
8	PF22520708	连杆曲柄	HINGE CRANK				1	1	1
9	PF22520709	内六角紧定螺钉	SCREW SM15/64"×28 L=8				1	1	1
10	BF700N03	六角螺母	NUT				2	2	2
11	PF22520711	轴	SHAT				1	1	1
12	/	弹性销	SHRING PIN				1	1	1
13	PF22520714	套筒	TAKE-UP SPRING GUIDE				1	1	1
14	/	针杆位置控制杆	NEEDLE				1	1	1
15	PF22520715	线勾	THRSAD GUIDE				1	1	1
16	PF22520131	摆动连杆座螺钉	SCREW SM9/64"×40 L=7				1	1	1
17	PF22520717	短管	PIPE				1	1	1
18	PF22520718	阶梯销	WASHER				1	1	1
19	PF22520718	阶梯轴	SHAFT				1	1	1
20	PF22520720	针杆位置标板	PLATE				1	1	1
21	PF22520721	弹簧	SPRING				1	1	1
22	/	E型挡圈	RING				1	1	1
23	PF22520723	针杆变换杠杆	NEEDLE CHARNGE LEVER				1	1	1
24	PF22520724	销	PIN				1	1	1
25	PF22520725	弹簧	SPRING				1	1	1
26	PF6150211	挑线杆防护罩螺钉	SCREW SM11/64"×40 L=8				2	2	2
27	PF22520727	安装板	CONNECTING ROD				1	1	1
28	PF22520728	短管	PIPE				1	1	1
29	PF22520729	圆柱头螺钉	SCREW				1	1	1
30	PF22520730	变换曲柄	CHANGE OVER CRANK				1	1	1
31	PF22520731	导向销	GUIDE PIN				1	1	1
32	PF22520732	销	PIN				1	1	1
33	PF22520733	特殊垫片	WASHER				1	1	1
34	PF22520734	特殊销钉	PIN				2	2	2
35	PF22520735	弹簧	SPRING				2	2	2
36	PF22520736	特殊螺钉	SCREW				4	4	4
37	PF22520737	弹簧	SPRING				2	2	2
38	PF22520738	销钉	BUSH				2	2	2
39	PF22520739	导向台	GUIDE				1	1	1
40	PF22520740	压紧杆轴套	BUSHING				1	1	1
41	PF22520741	止动销	STOPPER PIN				1	1	1

8、针距调节部件 STITCH REGULATOR MECHANISM

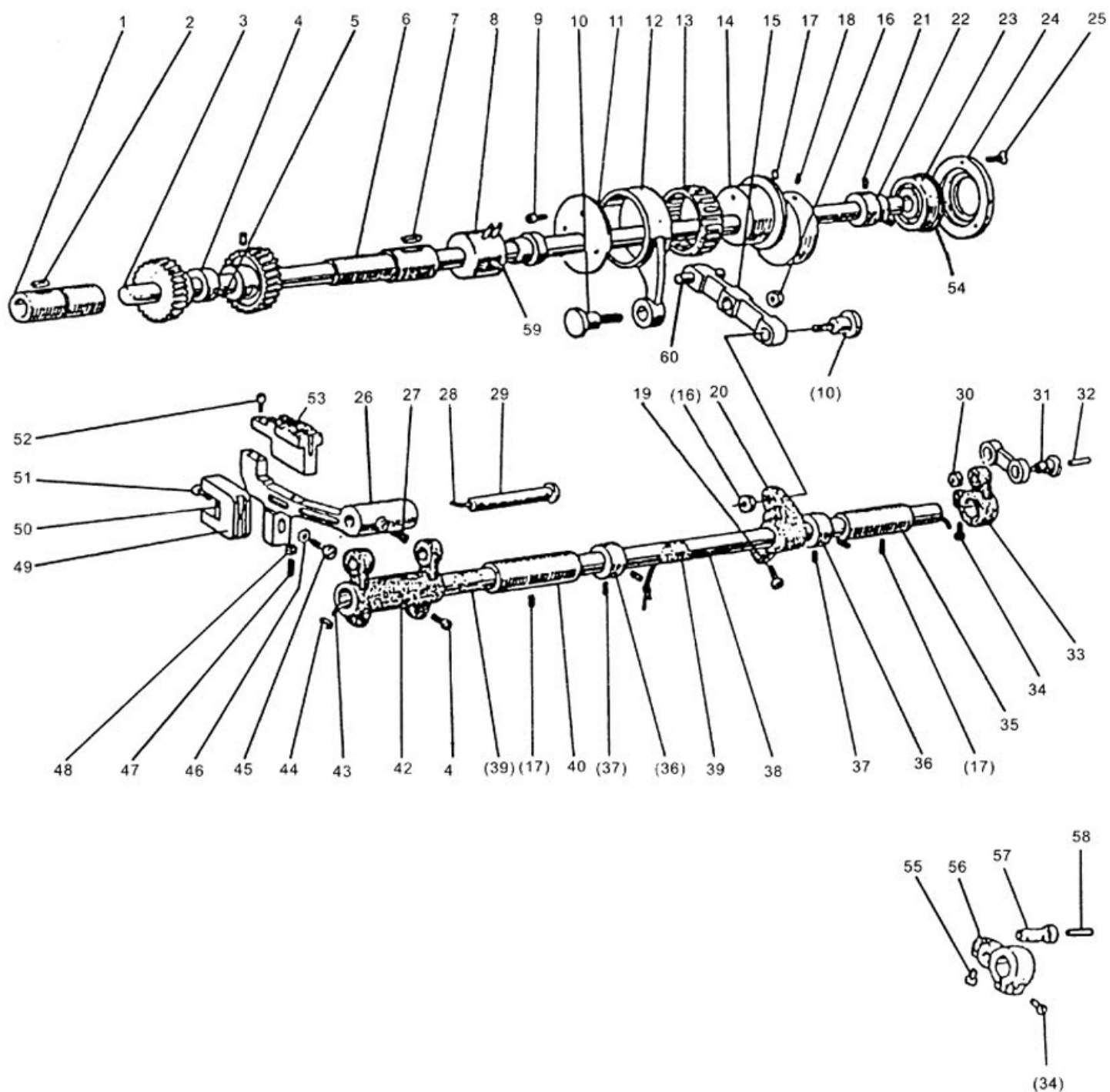


平缝系列>LS2052 LS2252>8.针距调节部件 STITCH REGULATOR MECHANISM

序号 NO	品号CODE	名称	NAME	数量 AMT					
				2052	2052	2052	2252	2252	2252
				-3	-5	H	-3	-5	H
1	PF20520801	针距调节摆杆	FEED REGULATOR COMPLETE	1	1	1	1	1	1
2	PF20520802	倒缝操纵杆螺钉	SCREW SM15/64"×28 L=10	2	2	2	2	2	2
3	PF20520803	圆柱头螺钉	SCREW	1	1	1	1	1	1
4	PF20520804	连杆	CONNECTING LINK	1	1	1	1	1	1
5	PF20520805	偏心轴	ECCENTRIC SHAFT	1	1	1	1	1	1
6	PF20520806	倒缝操纵杆短轴 (上)	REVERSE STITCH SHAFT (UPPER)	1	1	1	1	1	1
7	PF555076	针距按钮簧	SPRING	1	1	1	1	1	1
8	PF555075	止动销	STOPPER PIN	1	1	1	1	1	1
9	PF20520809	倒缝操纵杆曲柄	REVERSE STITCH CRANK	1	1	1	1	1	1
10	PF20520810	拉簧架螺钉	SCREW	1	1	1	1	1	1
11	PF20520811	圆柱头螺钉	SCREW SM11/64"×40 L=8.5	1	1	1	1	1	1
12	PF6150627	倒缝操纵杆垫圈	WASHER	1	1	1	1	1	1
13	PF6150610	限位块螺钉	SCREW SM15/64"×28 L=10	2	2	2	2	2	2
14	PF20520814	倒缝操纵杆	REVERSE FEED LEVER	1	1	1	1	1	1
15	PF20520815	倒缝操纵曲柄弹簧	SPRING FOR REVERSE FEED CRANK	1	1	1	1	1	1
16	PF20520816	弹簧架	BRACKET FOR SPRING	1	1	1	1	1	1
17	PF6150211	挑线杆防护罩螺钉	SCREW SM11/64×40 L=8	6	6	6	6	6	6
18	PF20520818	针距调节螺杆	SCREW BAR	1	1	1	1	1	1
19	PF6150629	针距调节螺杆O型圈	O-RING	1	1	1	1	1	1
20	PF6150633	针距标盘螺钉	SCREW SM3/16"×28 L=8	1	1	1	1	1	1
21	/	针距标盘 4	DIAL	1			1		
	PF20520821	针距标盘 5	DIAL		1			1	
	PF2052H0821	针距标盘 7	DIAL			1			1
22	PF6150518	针距连杆铰链轴	HINGE PIN	1	1	1	1	1	1
23	PF20520823	螺钉	SCREW	1	1	1	1	1	1
24	PF20520824	倒缝操纵杆曲柄 (下)	STITCH REGULATING CRANK LOWER	1	1	1	1	1	1
25	PF20520825	倒缝台挡板	HOLDING PLATE FOR REVERSE BAR	1	1	1	1	1	1
26	/	检测器架垫圈	WASHER	1	1	1	1	1	1
27	PF20520827	倒缝台	REVERSE BAR	1	1	1	1	1	1
28	/	送布轴连杆滑块	SQUARE BLOCK	2	2	2	2	2	2
29	PF20520829	导向板	GUIDE PLATE	2	2	2	2	2	2
30		弹簧架固定螺钉	BRACKET FOR SPRING SCREW	1	1	1	1	1	1

9、下轴、送布轴部件

LOWER SHAFT AND FEED ROCK SHAFT MECHANISM



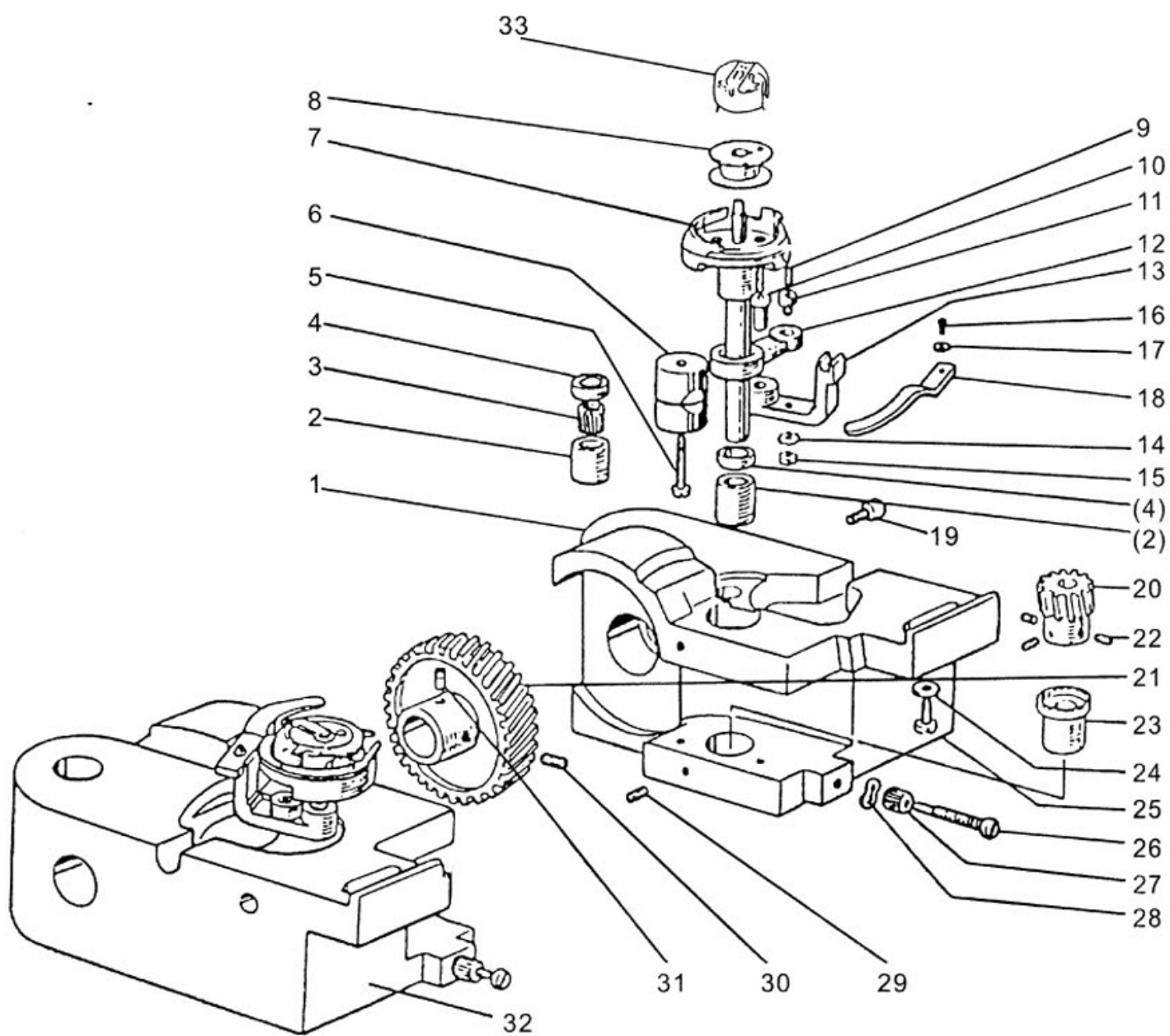
平缝系列>LS2052 LS2252>9.下轴、送布轴部件

LOWER SHAFT AND FEED ROCK SHAFT MECHANISM

序号 NO	品号CODE	名称	NAME	数量 AMT					
				2052	2052	2052	2252	2252	2252
				-3	-5	H	-3	-5	H
1	PF20520901	下轴轴套(左)	LOWER SHAFT BUSHING (LEFT)	1	1	1	1	1	1
2	/	油线	OIL WICK	1	1	1	1	1	1
3	PF20520903	下轴	LOWER SHAFT	1	1	1	1	1	1
4	PF20520904	拾牙凸轮	LOWER LIFTING CAM	1	1	1	1	1	1
5	PF20520905	紧定螺钉	SCREW SM1/4"×40 L=5	1	1	1	1	1	1
6	PF20520906	下轴轴套(右)	LOWER SHAFT BUSHING (RIGHT)	1	1	1	1	1	1
7	/	油线	OIL WICK	1	1	1	1	1	1
8	PF20520908	下轴轴套(中)	LOWER SHAFT BUSHING (MIDDLE)	1	1	1	1	1	1
9	PF20520909	短轴端盖螺钉	SCREW	3	3	3	3	3	3
10	PF20520910	轴位螺钉	SCREW	2	2	2	2	2	2
11	PF20520911	垫片	WASHER	1	1	1	1	1	1
12	PF20520912	送布凸轮连杆	FEED CONNECTING ROD	1	1	1	1	1	1
13	PF20520913	轴承	NEEDLE BEARING	1	1	1	1	1	1
14	PF20520914	送布凸轮 4.3	LEVER FEED CONNECTING SCM	1			1		
	PF205209145	送布凸轮 5.1	LEVER FEED CONNECTING SCM		1			1	
	PF2052H0914	送布凸轮 6.2	LEVER FEED CONNECTING SCM			1			1
15	PF20520827组	送布轴连杆	LINK	1	1	1	1	1	1
16	PF20520916	六角螺母	NUT	2	2	2	2	2	2
17	PF6150312	上轴轴套(中)螺钉	SCREW SM15/64×28 L=10	3	3	3		3	3
18	PF6150312	挑线杆定位螺钉	SCREW	1	1	1	1	1	1
19	PF20520919	圆柱头螺钉	SCREW SM15/64"×28 L=14	1	1	1	1	1	1
20	PF20520920	送布轴曲柄(中)	FEED ROCK SHAFT CRANK (MIDDLE)	1	1	1	1	1	1
21	PF5550625	上轴紧圈螺钉	SCREW SM1/4"×40 L=8	2	2	2	2	2	2
22	PF20520922	下轴右轴套	BUSHING	1	1	1	1	1	1
23	PF20520923	轴承	BALL BEARING	1	1	1	1	1	1
24	PF20520924	挡板	BEARING HOLDER	1	1	1	1	1	1
25	PF20520102	送布凸轮垫圈螺钉	SCREW SM9/64"×40 L=7.7	3	3	3	3	3	3
26	PF20520926	牙架	FEED BAR	1	1	1	1	1	1
27	PF2052052301	内六角紧定螺钉	SCREW	1	1	1	1	1	1
28	/	油线	OIL WICK	1	1	1	1	1	1
29	PF20520929	牙架曲柄轴	FEED BAR SHAFT	1	1	1	1	1	1
30	PF20520419	六角螺母	NUT	1	1	1	1	1	1
31	PF20520417	圆柱头螺钉	SCREW	1	1	1	1	1	1
32	/	油线	OIL WICK	1	1	1	1	1	1
33	PF20520933	送布轴曲柄(右)	FEED ROCK SHAFT CRANK (RIGHT)	1	1	1	1	1	1
34	PF0302646	压脚摆动曲柄(右)螺钉	SCREW SM1/4"×24 L=16	2	2	2	2	2	2
35	PF20520935	送布轴轴套	FEED ROCK SHAFT BUSHING	1	1	1	1	1	1
36	PF6150512	上轴紧圈	COLLAR	2	2	2	2	2	2
37	PF6150405	上轴紧圈螺钉	SCREW SM1/4"×40 L=8	4	4	4	4	4	4
38	PF20520938	送布轴	FEED ROCK SHAFT	1	1	1	1	1	1
39	/	羊毛毡	FELT	2	2	2	2	2	2
40	PF20520940	拾牙轴轴套	FEED ROCK SHAFT BUSHING (LEFT)	1	1	1	1	1	1
41	PF55501013	牙架曲柄螺钉	SCREW SM3/16"×28 L=12	1	1	1	1	1	1
42	PF20520942	牙架曲柄	FEED BAR CRANK	1	1	1	1	1	1

43	/	油线	OIL WICK	1	1	1	1	1	1
44	/	毛线夹	HOLDER	2	2	2	2	2	2
45	PF20520945	六角螺栓	BOLT	1	1	1	1	1	1
46	/	垫圈	WASHER	2	2	2	2	2	2
47	PF20520947	内六角紧定螺钉	SCREW	1	1	1	1	1	1
48	PF20520948	螺母	NUT	1	1	1	1	1	1
49	PF20520949	拾牙曲柄叉	FEED BAR CONNECTING FORK	1	1	1	1	1	1
50	PF20520950	羊毛毡	OIL WICK	1	1	1	1	1	1
51	PF20520951	圆柱头螺钉	SCREW SM1/8"×44 L=4	1	1	1	1	1	1
52	PF20520952	内六角螺栓	BOLT SM1/8"×40 L=7	2	2	2	2	2	2
53	PF68425G07	送布牙1/4	FEED DOG 1/4	1	1	1	1	1	1
	PF68725G07	送布牙1/4 H	FEED DOG 1/4 H			1			1
54	/	止动环	STOPPER RING						
55	PF55501013	牙架曲柄螺钉	SCREW SM3/16"×28 L=15				2	2	2
56	PF22520956	送布曲柄	FEED BAR CONNECTING FORK				1	1	1
57	PF22520957	销	PIN				1	1	1
58	/	滑杆棉线	OIL WICK				1	1	1
59	/	油管接头	OIL RUBD JOINT	3	3	3	3	3	3
60	PF20520827组	送布连杆轴	FEED ROCKER SHAFT	1	1	1	1	1	1

10、旋梭台部件 HOOK SADDLE MECHANISM

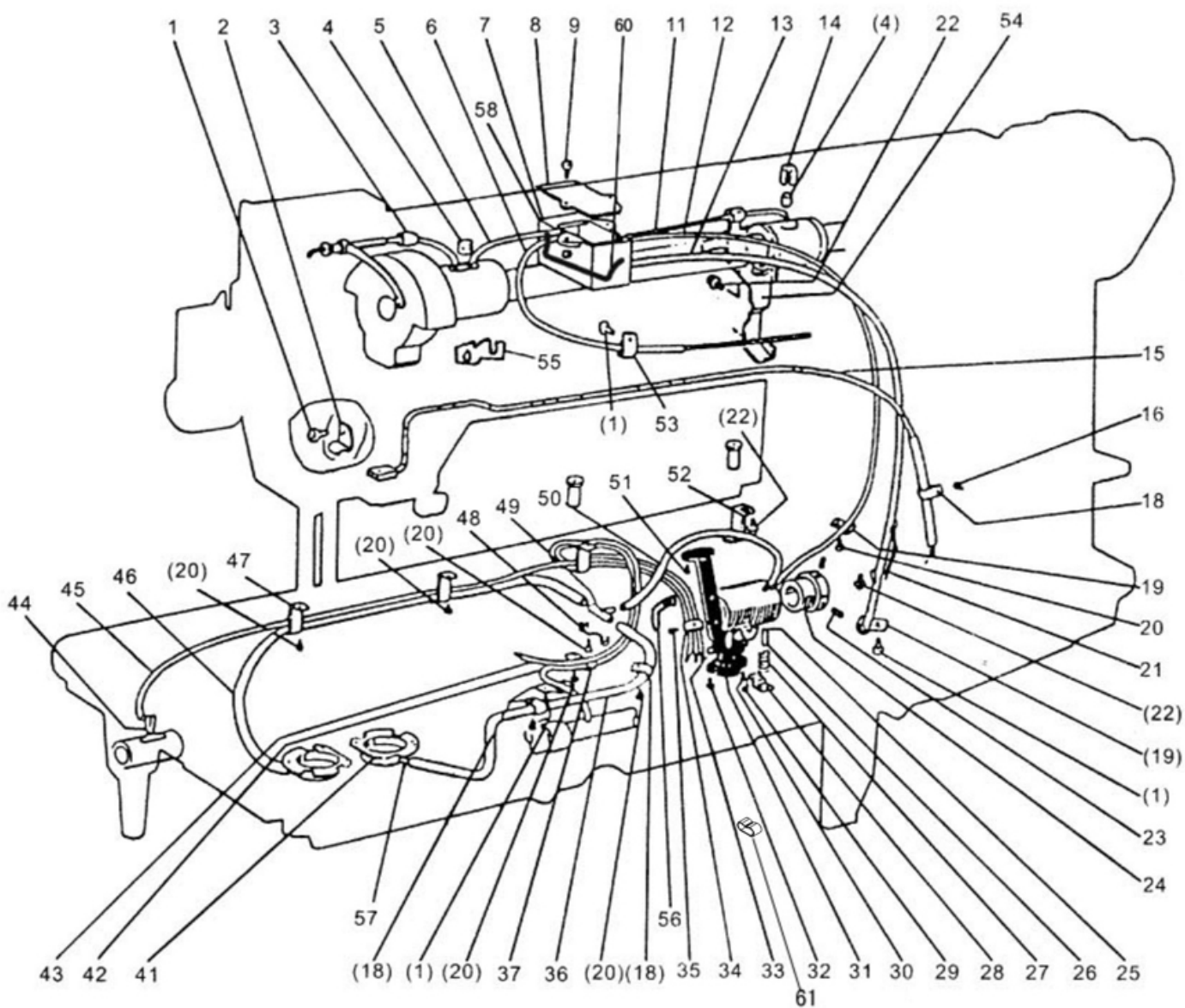


平缝系列>LS2052 LS2252>10.旋梭台部件 HOOK SADDLE MECHANISM

序号 NO	品号CODE	名称	NAME	数量 AMT					
				2052	2052	2052	2252	2252	2252
				-3	-5	H	-3	-5	H
1	PF20521001	旋梭台(右)	HOOK SADDLE (RIGHT)	1	1		1	1	
	PF2052H1001	旋梭台(右)	HOOK SADDLE (RIGHT)			1			1
2	PF20521002	旋梭轴轴套(上)	HOOK SHAFT BUSHING (UPPER)	2	2		2	2	
	PF2052H1003	旋梭轴轴套(上)	HOOK SHAFT BUSHING (UPPER)			2			2
3	无使用	轴承	NEEDLE BEARING						
4	PF20521004	垫片	WASHRT	2	2		2	2	
	PF2052H1004	垫片	WASHRT			2			2
5	PF68425H2701	圆柱头螺钉	SCREW SM15/64"×28 L=30	2	2	2	2	2	2
6	PF68425H27	旋梭台锁紧轴套	HOOK SADDLE BUSHING	2	2	2	2	2	2
7	PF2052100701	旋梭组件 DSH-265	HOOK COMPLETE	2	2				
	PF2052H10070	旋梭组件 DSH2-260-20	HOOK COMPLETE			2			
	PF2252H10070	旋梭组件 DSH2-275-20	HOOK COMPLETE						2
	PF2252100701	旋梭组件 DSH-275	HOOK COMPLETE				2	2	
8	PF68425H41	梭心	BOBBIN	2	2		2	2	
	PF68725H41	梭心	BOBBIN			2			2
9	/	油线	OIL WICK	2	2	2	2	2	2
10	PF20521010	拔线勾支架轴	BOBBIN CASE OPENER HOLDER PIN	2	2	2	2	2	2
11	PF20521011	特殊螺钉	SCREW	1	1	1	1	1	1
12	PF20521012	支架连杆	LINK	2	2		2	2	
	PF2052H1012	支架连杆 H	LINK			2			2
13	PF20521013	拔线勾支架	BOBBIN CADE OPENER HOLDER	2	2		2	2	
	PF2052H1013	拔线勾支架 H	BOBBIN CADE OPENER HOLDER			2			2
14		弹簧垫片	SPRING WASHER	2	2	2	2	2	2
15	PF20521015	牙架连杆铰链轴螺母	NUT	2	2	2	2	2	2
16	PF68425H52	摆动连杆座螺钉	SCREW SM9/64"×40 L=7	2	2	2	2	2	2
17		垫片	WASHER	2	2	2	2	2	2
18	PF20521018	旋梭拔线勾	OPENER	2	2		2	2	
	PF2052H1018	旋梭拔线勾 H	OPENER			2			2
19	PF20521019	内六角紧定螺栓	BOLT	2	2	2	2	2	2
20	PF20521020	旋梭台齿轮(小)	GEAR (SMALL)	2	2	2	2	2	2
21	PF20521021	旋梭台齿轮(大)	GEAR (LARGE)	2	2	2	2	2	2
22		上轴紧圈螺钉	SCREW SM1/4"×40 L=8	6	6	6	6	6	6
23	PF20521023	旋梭轴轴套(下)	HOOK SHAFT BUSHING (LOWER)	2	2	2	2	2	2
24		垫圈	WASHER	2	2	2	2	2	2
25	PF20521025	圆柱头螺钉	SCREW SM1/4"×24 L=19.5	2	2	2	2	2	2
26	PF20521026	特殊螺钉	SCREW	2	2	2	2	2	2
27	PF20521027	调节螺母	NUT	2	2	2	2	2	2
28	PF20521028	波形垫圈	SPRING WASHER	2	2	2	2	2	2
29	PF6150405	送布轴轴套螺钉	SCREW SM15/64"×28 L=4.5	4	4	4	4	4	4
30		挑线曲柄定位螺钉	SCREW SM1/4"×40 L=6	2	2	2	2	2	2
31		紧定螺钉	SCREW SM1/4"×40 L=6.5	2	2	2	2	2	2
32	PF20521032	旋梭台(左) 32H	HOOK SADDLE (LEFT)	1	1		1	1	
	PF2052H1033	旋梭台(左) 33H	HOOK SADDLE (LEFT)			1			1
33		梭心壳 H	BOBBIN CASE						2
		梭心壳	BOBBIN CASE				2	2	

11、供油部件

OIL LUBRICATION MECHANISM

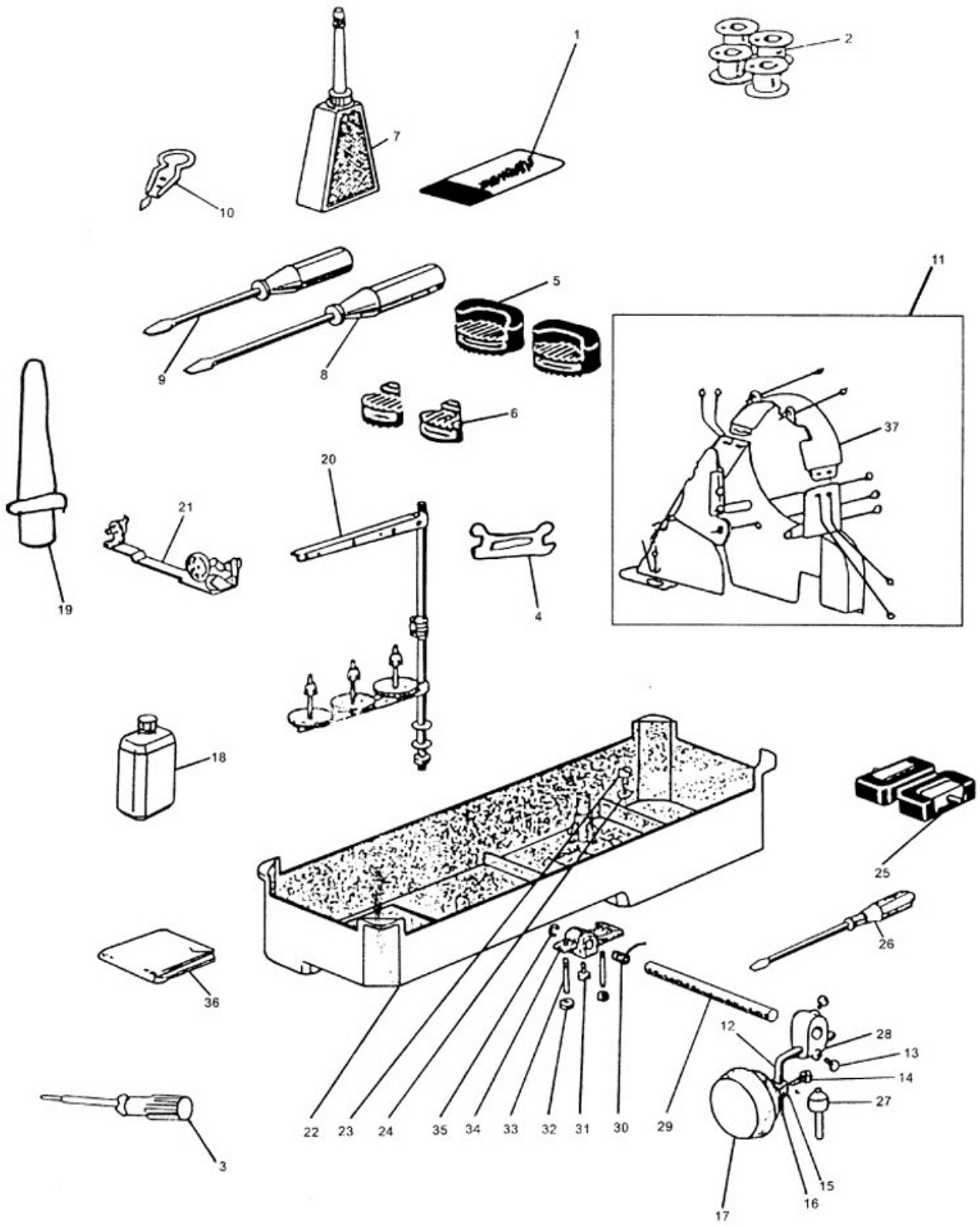


平缝系列>LS2052 LS2252>11.供油部件 OIL LUBRICATION MECHANISM

序号 NO	品号CODE	名称	NAME	数量 AMT					
				2052	2052	2052	2252	2252	2252
				-3	-5	H	-3	-5	H
1	PF6150211	挑线杆防护罩螺钉	SCREW SM11/64"×40 L=8	4	4	4	4	4	4
2	PF20521102	油管夹	HOLDER	1	1	1	1	1	1
3	PF20521103	橡胶管	PIPE	1	1	1	1	1	1
4	PF20521104	羊毛毡	FELT	2	2	2	2	2	2
5		油管组件	OIL PIPE	1	1	1	1	1	1
6		油管组件	OIL PIPE	1	1	1	1	1	1
7	PF20521107	油盒	OIL PIPE	1	1	1	1	1	1
8	PF20521108	油盒垫片	GASKET	1	1	1	1	1	1
9	PF20521109	螺钉	SCREW	2	2	2	2	2	2
11		油管组件	OIL PIPE	1	1	1	1	1	1
12		油管	OIL PIPE	1	1	1	1	1	1
13		油管	OIL PIPE	1	1	1	1	1	1
14	PF20521114	上轴轴套油管	PIPE	1	1	1	1	1	1
15		油管组件	OIL PIPE	1	1	1	1	1	1
16	PF555068	偏心连杆轴螺钉	SCREW SM9/64"×40 L=6.5	7	7	7	7	7	7
18	PF20521118	油管夹	HOLDER	2	2	2	2	2	2
19	PF20521119	油管夹	HOLDER	2	2	2	2	2	2
20	PF5550117	大线勾螺钉	SCREW SM11/64"×40 L=5.5	7	7	7	7	7	7
21	PF20521121	油管夹	HOLDER	1	1	1	1	1	1
22	PF68425B27	后盖板螺钉	SCREW SM11/64"×40 L=6	3	3	3	3	3	3
23	PF7810638	紧定螺钉	SCREW SM11/64"×40 L=10	2	2	2	2	2	2
24	PF20521124	轴套	BUSHING	1	1	1	1	1	1
25		油管	OIL PIPE	1	1	1	1	1	1
26	PF20521126	柱塞	PLUNGER	1	1	1	1	1	1
27	PF20521127	柱塞弹簧	PLUNAER SPRING	1	1	1	1	1	1
28	PF20521128	柱塞弹簧挡板	PLUNAER SPRING PLATE	1	1	1	1	1	1
29	PF20521129	圆柱头螺钉	SCREW SM1/8"×44 L=4.8	1	1	1	1	1	1
30	PF20521130	圆柱头螺钉	SCREW SM9/64"×40 L=5	1	1	1	1	1	1
31	PF20521131	过滤板	FILTER	1	1	1	1	1	1
32	PF20521132	圆柱头螺钉	SCREW SM9/64"×40 L=7	1	1	1	1	1	1
33	PF20521133	油管板	BASE PLATE	1	1	1	1	1	1
34	PF20521134	油管夹	HOLDER	1	1	1	1	1	1
35	PF20521130	面板线勾螺钉	SCREW SM9/64"×40 L=6	1	1	1	1	1	1
36		油管	OIL PIPE	1	1	1	1	1	1
37	PF20521137	油管夹	HOLDER	1	1	1	1	1	1
41	PF20521141	供油管盖	COVER	2	2	2	2	2	2
42		油管组件	OIL PIPE	1	1	1	1	1	1
43		油管组件	OIL PIPE	1	1	1	1	1	1
44		油线	OIL WICK	3	3	3	3	3	3
45		油管组件	OIL PIPE	1	1	1	1	1	1
46		油管	OIL PIPE	1	1	1	1	1	1
47	PF20521147	油管夹	HOLDER	3	3	3	3	3	3
48	PF20521148	油管夹	HOLDER	1	1	1	1	1	1
49	PF20521149	三通油管	OIL PIPE	1	1	1	1	1	1
50		油管	OIL PIPE	1	1	1	1	1	1

51	PF6150420	旋梭定位勾螺钉	SCREW SM11/64"×40 L=10	2	2	2	2	2	2
52	PF20521152	压板	HOLDER PLATE	1	1	1	1	1	1
53	PF20521153	塑料夹	HOLDER	1	1	1	1	1	1
54	PF20521154	油管夹	HOLDER	1	1	1	1	1	1
55		压板	HOLDER PLATE	1	1	1	1	1	1
56	PF20521156	油管接头	OIL RUBD JOINT	1	1	1	1	1	1
57		油管接头	OIL RUBD JOINT	2	2	2	2	2	2
58	PF20521158	油盒盖	OIL RUBD PIPE	1	1	1	1	1	1
60	PF20521160	油盒盒压簧		1	1	1	1	1	1

12、附件 ACCESSORIES



平缝系列>LS2052 LS2252>12.附件 ACCESSORIES

序号 NO	品号CODE	名称	NAME	数量 AMT					
				2052	2052	2052	2252	2252	2252
				-3	-5	H	-3	-5	H
1	PFDTDP514	机针 14#	NEEDLE	1包			1包		
	PFDTDP519	机针 19#			2包			2包	
	PFDTDP522	机针 22#	NEEDLE			1包			1包
2	PF68425H41	梭心	BOBBIN	2			2		
	PF68725H42	梭心 H	BOBBIN			2			2
3		内六角扳手10-14	DOUBLE-HEAD WRENCH	1	1	1	1	1	1
4	PF61501109	双头扳手	DOUBLE-HEAD WRENCH	1	1	1	1	1	1
5	PF555099	机头防振垫(大)	RUBBER COSHION(BIG)	2	2	2	2	2	2
6	PF555098	机头防振垫(小)	RUBBER COSHION(SMALL)	2	2	2	2	2	2
7	PF61501105	小油壶	OILER	1	1	1	1	1	1
8	PF55501017	螺丝刀(中)	SCREW DRIVER(MIDDLE)	1	1	1	1	1	1
9	PF55501018	螺丝刀(小)	SCREW DRIVER(SMALL)	1	1	1	1	1	1
10	PF20521210	穿线器组件	THREAD-IN DEVICE	1	1	1	1	1	1
11	PF0302821	皮带罩组件	BELT COVER SAM.	1	1	1	1	1	1
12	PF5550922	膝控弯杆	KNEE LIFTER BELL CRANK	1	1	1	1	1	1
13		碰块弯杆接头螺钉	SCREW SM5/16"×18 L=16	2	2	2	2	2	2
14	PF5550927	碰块架螺钉	SCREW SM15/64"×28 L=8	1	1	1	1	1	1
15	PF5550926	碰块架	BRACKET FOR KNEE LIFTER PLATE	1	1	1	1	1	1
16	PF5550923	膝控碰块	KNEE LIFTER PLATE	1	1	1	1	1	1
17	PF5550924	碰块垫	PAD FOR KNEE LIFTER PLATE	1	1	1	1	1	1
18	PF55501022	油壶	OILER	1	1	1	1	1	1
19	PF55501021	机头支柱	HEAD POLE	1	1	1	1	1	1
20	BF7003M17	线架组件	THREAD STAND	1	1	1	1	1	1
21	PF61501001	绕线器	BOBBIN WINDER ARM.	1	1	1	1	1	1
22	PF20521222	油盘	OIL RESERVOIR	1	1	1	1	1	1
23	PF6150902	放油螺钉	OIL DRAIN SCREW SM5/16"×28 L=10	1	1	1	1	1	1
24	PF20521224	放油螺钉垫片	WASHER	1	1	1	1	1	1
25	PF5550101	机壳铰链组件	HINGE OF MACHINE HEAD ARM.	2	2	2	2	2	2
26	PF68425Z104	螺丝刀(大)	SCREW DRIVER(LARGE)	1	1	1	1	1	1
27	PF20521227	顶销	PIN	1	1	1	1	1	1
28	PF20521228	碰块弯杆接头	JOINT FOR KNEE LIFTER BELL CRANK	1	1	1	1	1	1
29	PF20521229	膝控铰链轴	HINGE PIN	1	1	1	1	1	1
30	PF6150907	膝控复位弹簧	BACK SPRING FOR KNEE LIFTER	1	1	1	1	1	1
31	PF20521231	膝控限位架螺钉	SCREW	1	1	1	1	1	1
32	PF20521232	调节螺母	ADJUSTING NUT	2	2	2	2	2	2
33	PF20521233	膝控限位调节螺钉	ADJUSTING SCREW	2	2	2	2	2	2
34	PF20521234	膝控提升杠杆	KNEE LIFTER LEVER	1	1	1	1	1	1
35	PF20521235	膝控铰链轴开口挡圈	SNAP RING	1	1	1	1	1	1
36	PF5550102001	机罩尼龙袋	MACHINE COVER	1	1	1	1	1	1
37	PF0302821	皮带罩(上)	BELT COVER (UPPER)	1	1	1	1	1	1
38	PF5550102402	皮带 M42		1	1	1	1	1	1