

零件手册

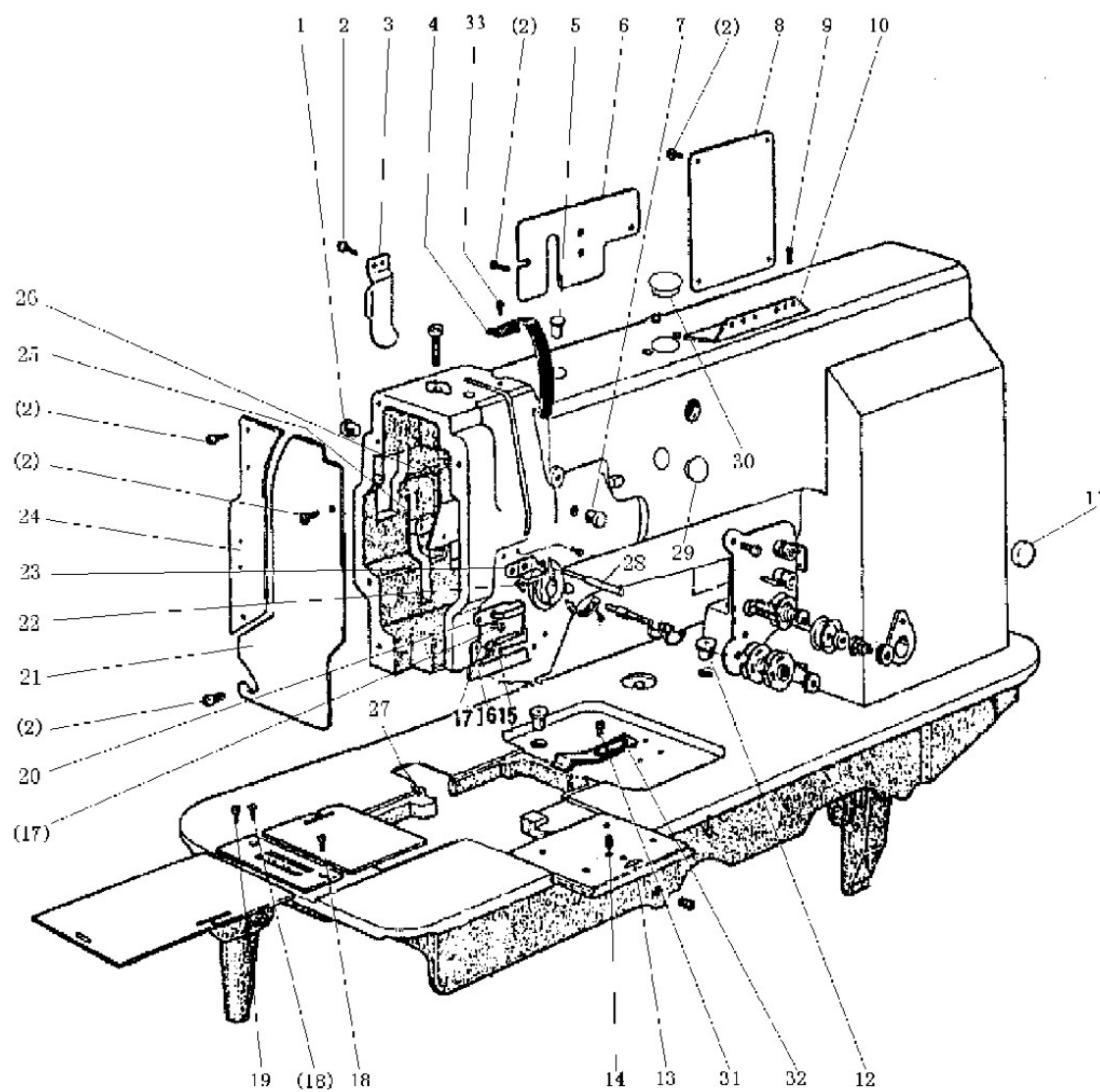
Parts Manual

4420/4400

综合送料厚料平缝机

Thick seam sewing machine with integrated feeding

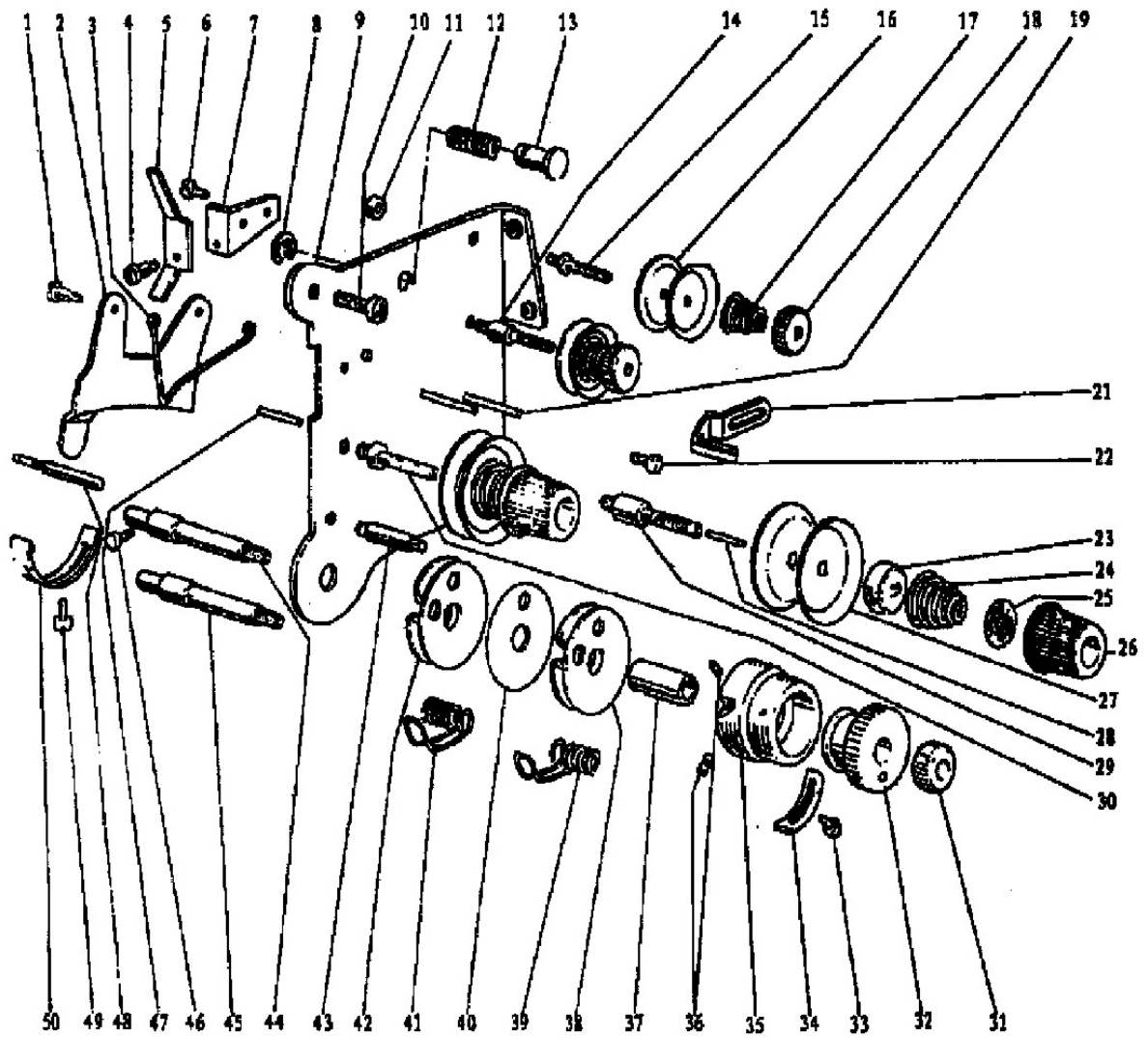
1. 机壳部件 / ARM BED AND ITS ACCESSORIES



平缝系列>LS4420 LS4400 >1.机壳部件 / ARM BED AND ITS ACCESSORIES

序号 NO	品号CODE	名称	NAME	数量 AMT	
				4400	4420
1	PF44200101	机头橡皮塞	Rubber plug	2	2
2	PF20520107	后盖板螺钉组件	Screw	13	13
3	PF44200103	防油板	Oil guard plate	1	1
4	PF44200104	挑线杆防护罩	Thread take-up cover	1	1
5	PF44200105	橡皮塞	Rubber plug	1	1
6	PF44200106	后盖板（左）	Side cover(left)	1	1
7	PF20520113	橡皮塞	Rubber plug	1	1
8	PF44200108	后盖板（右）	Side cover(right)	1	1
9	PF20520102	线勾螺钉	Screw	2	2
10	PF20520115	上过线板	Thread guide	1	1
11	PF44200111	橡皮塞	Rubber plug	1	1
12	PF44200116	油杯	Cap	2	2
13	PF20520118	推板（前）组件	Slide plate complete	1	1
14	PF20520117	紧定螺钉	Screw	1	1
15	PF20520141	羊毛毡	Felt	1	1
16	PF44200116	过线勾	Thread guide	1	1
17	PF20520106	圆柱头螺钉	Screw	2	2
18	PF6150138	针板螺钉	Screw	2	1
19	PF20520123	针板螺钉（后）	Screw		1
20	PF44200121	线勾（中）	Thread guide(middle)	1	1
21	PF44200122	面板	Face plate	1	1
22	PF20520102	过线勾沉头螺钉	Screw	2	2
23	PF44200124	线勾（上）	Thread guide(upper)	1	1
24	PF44200125	滑块导轨安装板	Guide mounting plate	1	1
25	PF44200125	挡油罩板垫块	Plate for oil guard	1	1
26	PF20520138	挡油罩板	Oil guard	1	1
27	PF68425A02	针板定位销	Pin		1
28	PF44200129	挺线销	Tension releasing pin	1	1
29	PF44200130	橡皮塞	Rubber plug	1	1
30	PF44200131	橡皮塞	Rubber plug	1	1
31	/	圆柱头螺钉	Screw	1	
32	PF44200133	推板止动板	Tension releasing plate	1	
33	PF68425A08	后窗板螺钉	Screw	1	1

2. 夹线调节部件 / THREAD TENSION REGULATOR MECHANISM

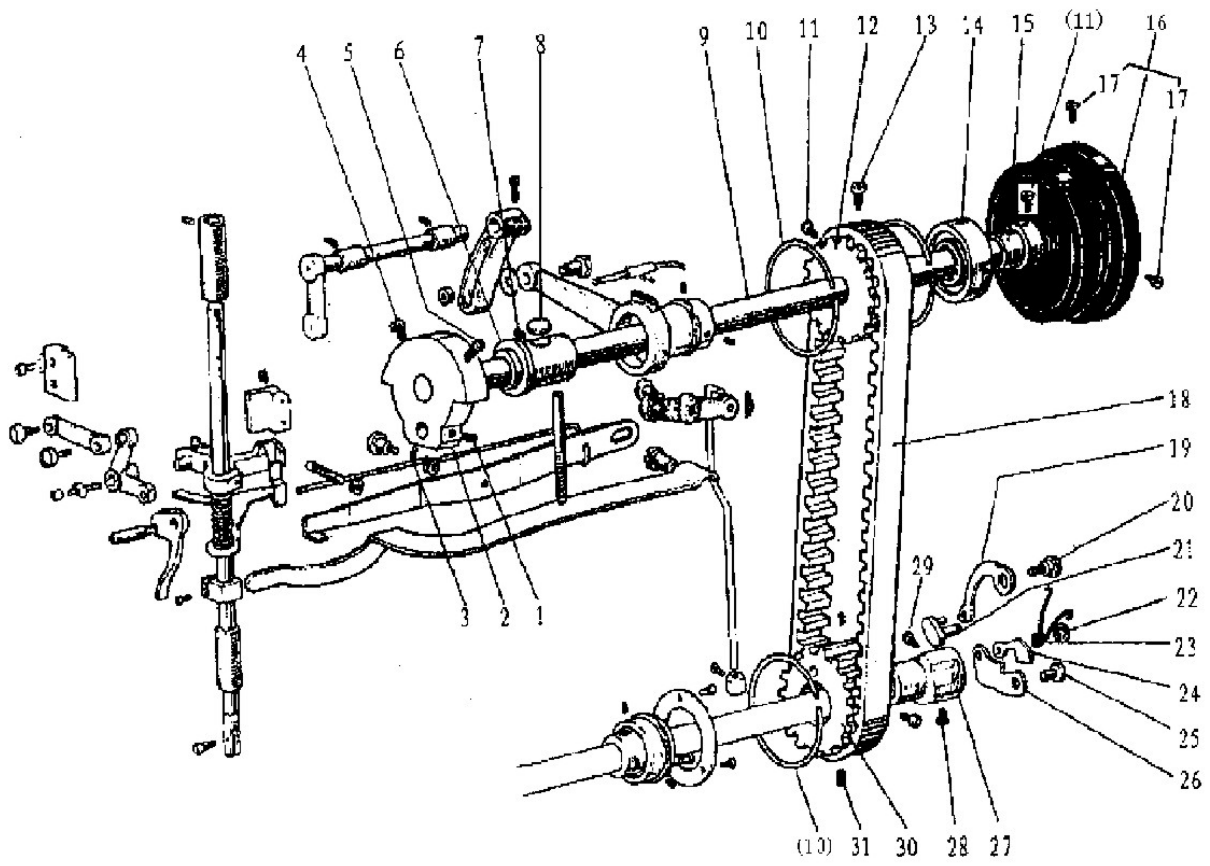


平缝系列>LS4420 LS4400 >2.夹线调节部件 / THREAD TENSION REGULATOR MECHANISM

序号 NO	品号CODE	名称	NAME	数量 AMT	
				4400	4420
	PF4400Z0202	单线夹线器组件		1	
	PF4420Z0201	双线夹线器组件			1
1	/	松线压板螺钉	Screw	2	2
2	/	松线板	Tension releasing plate	1	1
3	/	松线板压弹簧	Tension releasing spring	1	1
4	/	阶梯螺钉	Screw	1	1
5	/	摆杆	Lever	1	1
6	/	圆柱头螺钉	Screw	1	1
7	/	安装板	Mounting plate	1	1
8	/	开口挡圈	Stop ring	1	1
9	/	夹线调节器安装板	Mounting plate	1	1
10	PF68425A08	后窗板螺钉	Screw	1	1
11	/	六角螺母	Nut	1	1
12	/	按钮复位弹簧	Spring	1	1
13	/	按钮	Push button	1	1
14	/	夹线调节螺钉	Thread tension stud		1
15	/	夹线调节螺钉	Thread tension stud	1	1
16	/	夹线板	Thread tension disk	2	4
17	/	夹线弹簧	Thread tension spring	1	2
18	/	夹线螺母	Thumb nut	1	2
19	/	过线销	Pin	2	3
21	/	线勾	Thread guide	1	1
22	/	面板线勾螺钉	Screw	1	1
23	/	松线板	Thread tension releasing plate	1	2
24	/	夹线簧	Thread tension spring	1	2
25	/	夹线螺母止动板	Thumb nut revolution stopper	1	2
26	/	夹线螺母小组件	Thumb nut complete	1	2
27	/	夹线板	Thread tension disk	2	4
28	/	过线钉	Pin		1
29	/	夹线调节螺钉	Thread tension stud		1
30	/	夹线调节螺钉	Thread tension stud	1	1
31	/	螺母	Nut	1	1
32	/	套筒	Take-up spring guide		1
33	/	圆柱头螺钉	Screw		1
34	/	止动块	Stopper		1
35	/	导向套	Thread tension post		1
36	/	紧定螺钉	Screw		2
37	/	轴套	Bushing		1
38	/	过线板组件	Plate complete		1
39	/	挑线簧	Thread take-up spring		1
40	/	过线板	Plate		1
41	/	挑线簧	Thread take-up spring	1	1
42	/	过线板组件	Plate complete	1	1

43	/	阶梯螺钉	Screw	1	1
44	/	阶梯轴螺钉	Thread tension stud		1
45	/	阶梯轴螺钉	Thread tension stud	1	
46	PF44200246	挑线簧轴紧固螺钉	Screw	1	1
47	/	过线钉	Pin	1	1
48	/	松线钉	Tension releasing pin	1	1
49	/	圆柱头螺钉	Screw	1	1
50	PF20520243	止动块	Stopper	1	1

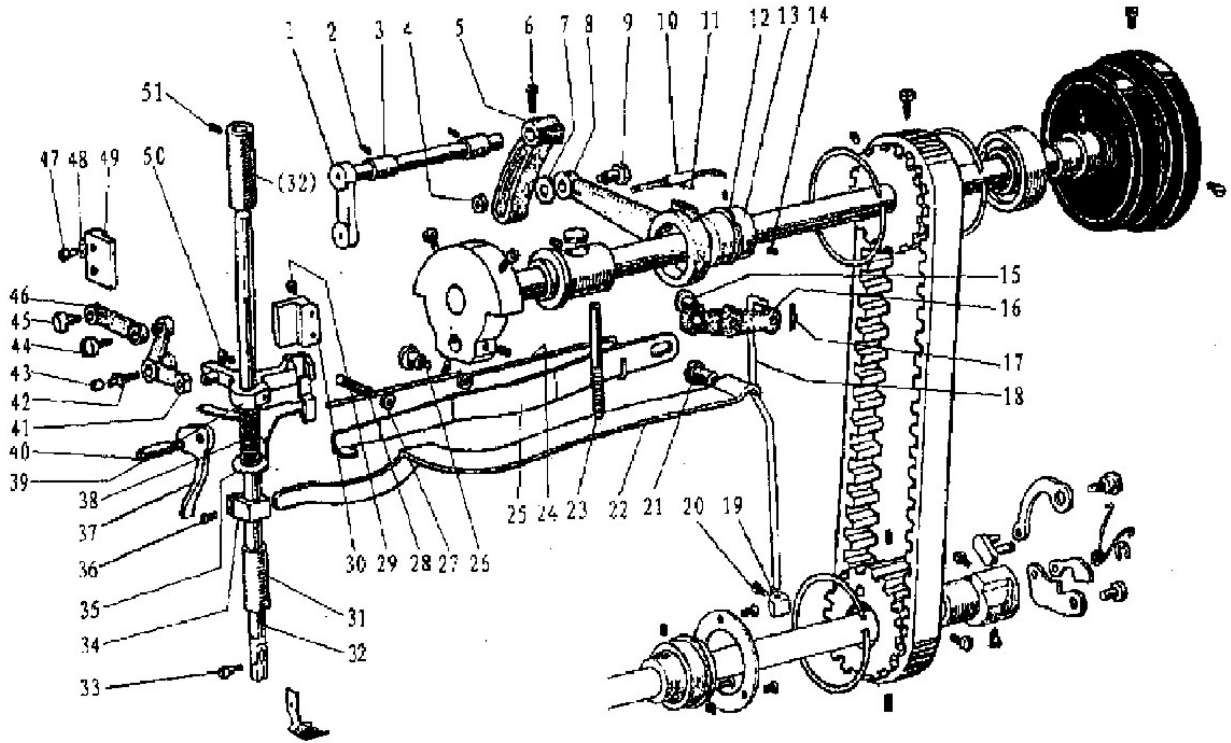
3. 上轴部件 / ARM SHAFT MECHANISM



平缝系列>LS4420 LS4400 >3.上轴部件 / ARM SHAFT MECHANISM

序号 NO	品号CODE	名称	NAME	数量 AMT	
				4400	4420
1	PF5550625	挑线曲柄定位螺钉	Set screw	1	1
2	PF44200302	针杆曲柄	Crank	1	1
3	PF6150304	上轴紧圈螺钉	Screw	1	1
4	PF6150214	针杆曲柄螺钉	Screw	1	1
5	PF6150215	针杆曲柄定位螺钉	Set screw	1	1
6	PF20520307	上轴轴套（左）	Arm shaft bushing (left)	1	1
7	PF44200307	紧定螺钉	Screw	1	1
8	PF20520308	羊毛毡	Felt	1	1
9	PF20520330	上轴	Arm shaft	1	1
10	/	弹簧挡圈	Spring flange	3	3
11	/	同步带轮螺钉	Screw	3	3
12	PF20520802	同步带轮（上）	Belt pulley (upper)	1	1
13	PF6150619	倒缝操纵杆曲柄螺钉	Screw	1	1
14	PF20520322	轴承	Bearing	1	1
15	PF20520323	轴套	Bushing	1	1
16	PF44200317	主动轮	Pulley	1	1
17	PF6150312	主动轮螺钉	Screw	2	2
18	PF20520327	同步带	Cog belt	1	1
19	/	长连杆	Connecting bar	1	1
20	/	长连杆销	Pin	1	1
21	/	连接销	Link	1	1
22	/	E型挡圈	E-type stop ring	1	1
23	/	同步带轮弹簧	Twist spring	1	1
24	/	连杆	Connecting bar	1	1
25	/	短连杆销	Pin	1	1
26	/	短连杆	Connecting bar	1	1
27	/	同步带轮轴	Bushing	1	1
28	/	定位螺钉	Set screw	1	1
29	PF6150610	同步带轮螺钉	Screw	1	1
30	PF4420Z0301	同步带轮（下）	Belt pulley (lower)	1	1
31	PF6150405	送布轴轴套螺钉	Screw	2	2

4. 压脚部件 / PRESSER FOOT MECHANISM

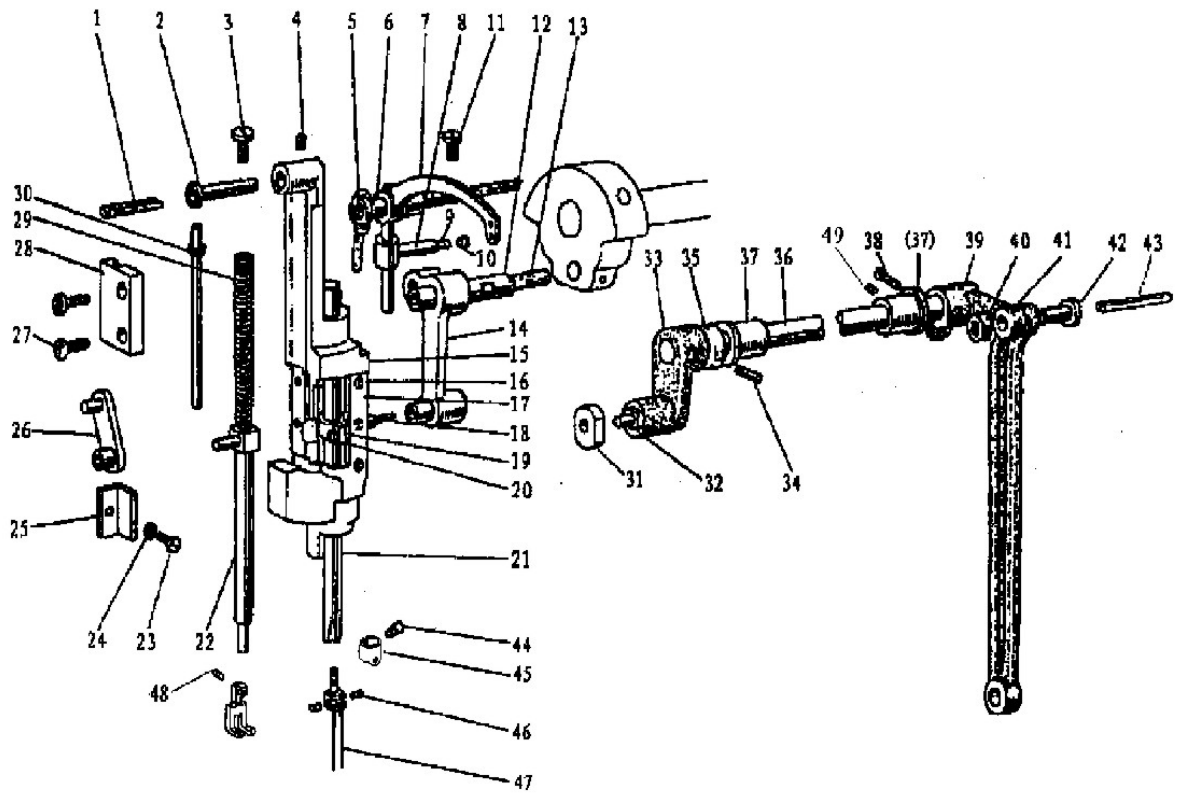


平缝系列>LS4420 LS4400 >4.压脚部件 / PRESSER FOOT MECHANISM

序号 NO	品号CODE	名称	NAME	数量 AMT	
				4400	4420
1	PF44200401	压脚提升曲柄轴	Feed lifting rock shaft	1	1
2	PF44200402	曲柄轴轴套螺钉	Screw	2	2
3	PF44200403	压脚提升曲柄轴轴套	Bushing	2	2
4	GB50028	调节螺母	Nut	1	1
5	/	调节曲柄	Lever	1	1
6	PF0302646	送布轴曲柄（右）螺钉	Screw	1	1
7	/	垫圈	Washer	1	1
8	/	偏心轮连杆	Connecting rod	1	1
9	/	调节螺钉	Bolt	1	1
10	/	油管组件	Oil pipe & wick complete	1	1
11	PF44200411	偏心连杆毛毡夹	Spring	1	1
12	/	C型卡圈	C-type stop ring	1	1
13	/	压脚提升偏心轮	Eccentric	1	1
14	/	挑线曲柄定位螺钉	Screw	2	2
15	PF44200415	连杆螺钉	Screw	1	1
16	PF44200416	膝控提升连杆组件	Knee lifting lever complete	1	1
17	/	开口销	Snap pin	1	1
18	PF44200418	膝控提升拉杆	Operation rod	1	1
19	PF44200419	膝控提升拉杆套环	Sleeve	1	1
20	PF44200420	套环螺钉	Screw	1	1
21	PF44200421	压簧支撑螺钉	Screw	1	1
22	PF44200422	压紧杆簧	Lever spring	1	1
23	PF44200423	调压螺钉	Screw	1	1
24	PF44200424	提升杠杆复位弹簧	Twist spring	1	1
25	PF44200425	膝控提升杠杆	Knee lifting lever	1	1
26	PF44200426	膝控提升杠杆螺钉	Screw	1	1
27	PF44200427	复位弹簧螺帽	Nut	1	1
28	PF44200428	复位弹簧螺钉	Screw	1	1
29	PF44200429	导轨螺钉	Screw	2	2
30	PF44200430	压紧杆提升架导轨	Guide	1	1
31	PF44200431	外压紧杆下轴套	Bushing	2	2
32	PF44200432	压紧杆	Presser bar	1	1
33	PF20520332	外压脚紧定螺钉	Screw	1	1
34	PF44200434	压紧杆弹簧架	Spring bracket	1	1
35	PF44200435	松线推板	Thread releasing plate	1	1
36	PF555049	压紧杆弹簧架螺钉	Screw	1	1
37	PF44200437	压脚提升扳手	Lifter lever	1	1
38	PF44200438	弹簧	Spring	1	1
39	PF44200439	压紧杆提升架	Bracket	1	1
40	PF44200440	压脚扳手螺钉	Screw	1	1
41	PF44200441	压脚提升杠杆	Bell crank	1	1
42	PF44200442	送料曲柄导柱轴	Support shaft	1	1
43	PF030266	滑柱	Roller	1	1

44	PF44200444	曲柄连杆螺钉	Screw	1	1
45	PF0302621	送料曲柄连杆螺钉	Screw	1	1
46	PF44200446	曲柄连杆	Link	1	1
47	PF6150107	导轨安装螺钉	Screw	2	2
48	/	垫圈	Washer	2	2
49	PF44200449	滑块导轨	Bell crank guide	1	1
50	PF44200450	提升架紧定螺钉	Screw	1	1
51	PF44200307	紧定螺钉	Screw	2	2

5. 针杆挑线部件 / NEEDLE BAR & THREAD TAKE-UP LEVER MECHANISM



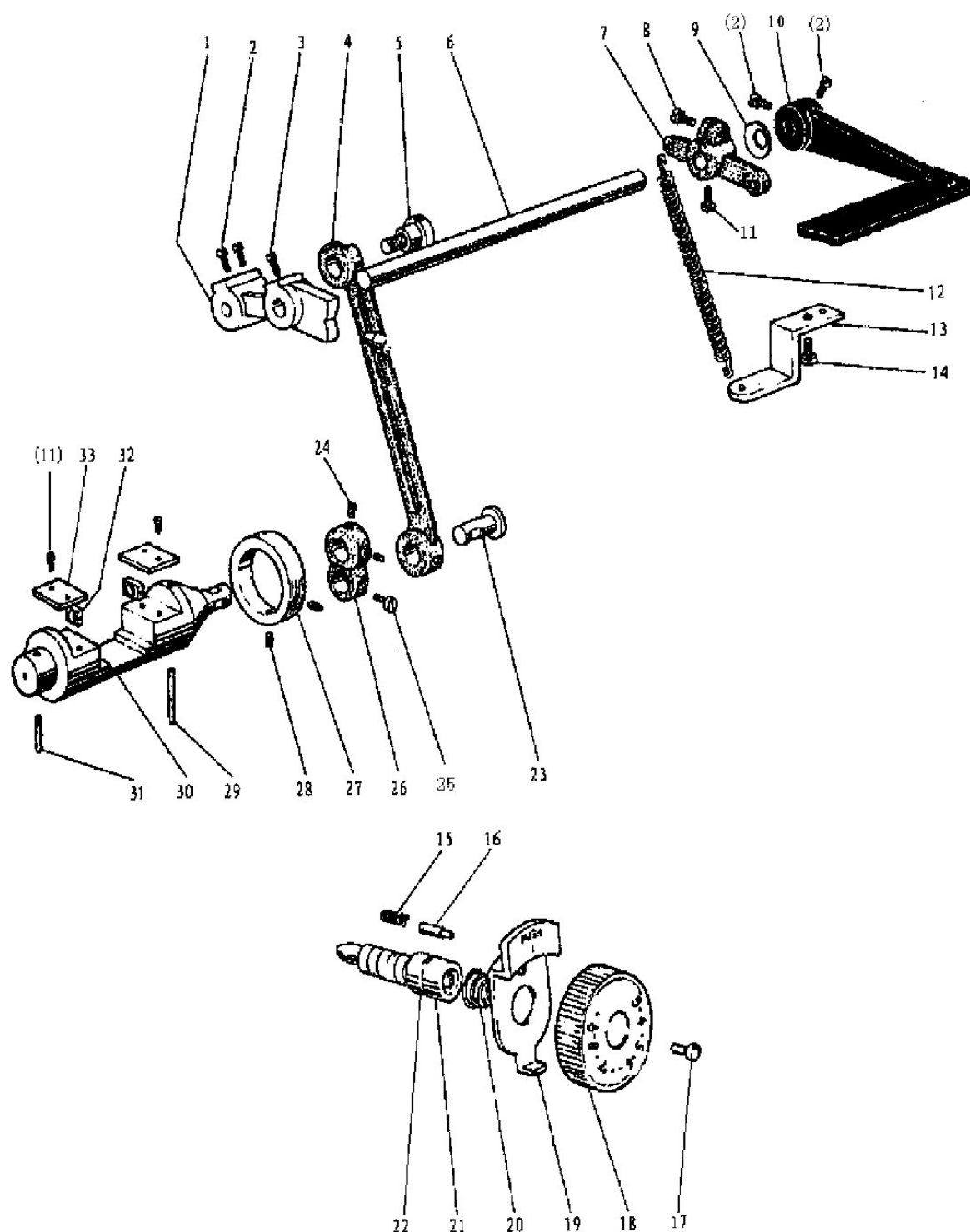
平缝系列>LS4420 LS4400 >5.针杆挑线部件

NEEDLE BAR & THREAD TAKE-UP LEVER MECHANISM

序号 NO	品号CODE	名称	NAME	数量 AMT	
				4400	4420
1	/	油线	Oil wick	1	1
2	PF44200502	针杆摆动架销	Needle bar guide bracket stud	1	1
3	PF44200503	压紧杆螺钉	Screw	1	1
4	PF68425E39	针杆摆动架紧定螺钉	Screw	1	1
5	/	油线	Oil wick	1	1
6	PF44200506	挑线杆铰链轴	Thread take-up lever support stud	1	1
7	PF4420Z0502	挑线杆	Thread take-up lever	1	1
8	/	滑杆	Thread take-up slide brock	1	1
9	/	滑杆油线	Oil wick	1	1
10	/	滑杆塞子	Plug	1	1
11	PF6150312	主动轮螺钉	Screw	1	1
12	PF20520407	挑线曲柄连杆轴	Needle bar crank pin	1	1
13	PF20520802	连杆轴油线	Oil wick	1	1
14	/	针杆挑线连杆	Connecting link	1	1
15	PF4420Z0501	针杆摆动架	Needle bar guide bracket	1	1
16	/	沉头螺钉	Screw	6	6
17	/	垫片	Spacer	2	2
18	/	羊毛毡	Felt	1	1
19	/	针杆夹头	Needle bar holder	1	1
20	/	圆柱头螺钉	Screw	1	1
21	PF44200521	针杆	Needle bar		1
	PF44000521	针杆	Needle bar	1	
22	PF44200522	内压紧杆	Vibrating presser bar	1	1
23	PF22520628	六角带槽螺栓	Screw	1	1
24	/	垫片	Washer	1	1
25	PF22520630	针杆导向块	Needle bar guide	1	1
26	PF44200526	杠杆连杆	Vibrating presser bar link	1	1
27		提升架紧定螺钉	Screw	2	2
28	PF44200528	滑块导轨	Vibrating presser bar guide	1	1
29	PF44200529	内压脚弹簧	Spring	1	1
30	PF44200530	压簧顶杆	Vibrating presser spring guide	1	1
31	PF20520512	针杆架摆动滑块	Square block	1	1
32	PF20520513	支撑轴螺钉	Crank pin	1	1
33	PF20520514	针杆架摆动曲柄(左)	Needle bar Vibrating crank (left)	1	1
34	PF20520515	摆动曲柄(左)锥销	Taper	1	1
35	PF44200535	垫圈	Collar	1	1
36	PF22520818	针杆架摆动曲柄轴	Needle bar Vibrating shaft	1	1
37	PF20520412	针杆架摆动轴轴套	Needle bar Vibrating shaft bushing	2	2
38	PF0302646	压脚曲柄(右)螺钉	Screw	1	1
39	PF22520520	针杆架摆动曲柄(右)	Needle bar Vibrating crank (right)	1	1
40	PF20520419	六角螺母	Nut	1	1
41	PF22520524	针杆摆动架连杆	Connecting link	1	1
42	PF20520417	曲柄连杆螺钉	Screw	1	1

43	/	油线	Oil wick	1	1
44	PF20521129	挡板安装螺钉	Screw	1	
45	/	下过线环	Thread guide	1	
46	PF44200546	机针支紧螺钉	Screw		2
47	PFDTDP1723	机针 DP×17 23#	Needle	1	2
48	/	套环螺钉	Screw	1	1
49	/	轴套螺钉	Screw	1	1

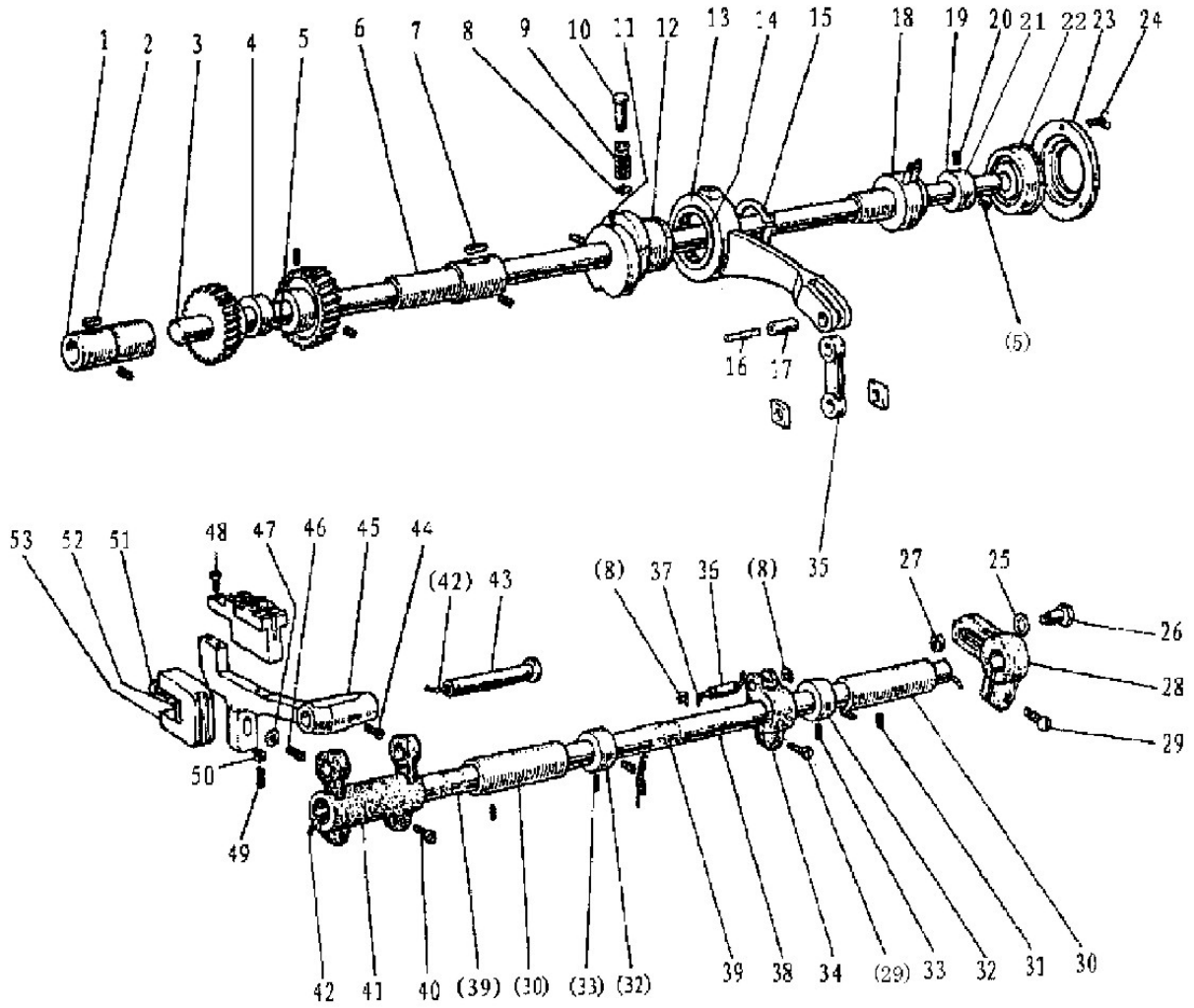
6. 针距调节部件 / STITCH REGULATOR MECHANISM



平缝系列>LS4420 LS4400 >6.针距调节部件 / STITCH REGULATOR MECHANISM

序号 NO	品号CODE	名称	NAME	数量 AMT	
				4400	4420
1	PF44200601	针距调节曲柄	Stitch regulator crank	1	1
2	PF6150610	同步带轮螺钉	Screw	4	4
3	PF20520803	圆柱头螺钉	Screw	1	1
4	PF44200604	针距调节连杆	Link	1	1
5	PF6150518	针距连杆铰链轴	Pin	1	1
6	PF44200606	倒缝操纵杆轴	Reverse stitch shaft	1	1
7	PF20520809	倒缝操纵曲柄	Reverse sewing crank	1	1
8	PF20520810	拉簧架螺钉	Screw	1	1
9	PF6150627	倒缝操纵杆垫圈	Spring washer	1	1
10	PF20520814	倒缝操纵杆	Reverse sewing lever	1	1
11	PF68425A08	后窗板螺钉	Screw	5	5
12	PF44200613	倒缝操纵曲柄弹簧	Spring	1	1
13	PF20520816	弹簧架	Spring bracket	1	1
14	PF6150107	面板螺钉	Screw	1	1
15	PF555076	止动销弹簧	Stop pin spring	1	1
16	PF0302425	止动销	Stop pin	1	1
17	PF6150633	针距标盘螺钉	Screw	1	1
18	PF44200621	针距标盘	Stitch length dial	1	1
19	PF44200622	针距按键	Stitch knob	1	1
20	PF44200623	针距按键簧	Coil spring	1	1
21	PF20520818	针距调节螺杆	Screw bar	1	1
22	PF6150629	O型圈	O ring	1	1
23	PF20520805	偏心轴	Eccentric shaft	1	1
24	PF2052082301	内六角圆柱头螺钉	Screw	2	2
25	PF20520823	内六角紧定螺钉	Screw	1	1
26	PF44200629	倒缝操纵曲柄(下)	Reverse sewing crank (lower)	1	1
27	PF44200630	挡圈	Collar	1	1
28	PF68425E39	内六角紧定螺钉	Screw	2	2
29	/	倒缝台羊毛毡(长)	Felt	1	1
30	PF44200633	倒缝台	Reverse block	1	1
31	/	倒缝台羊毛毡(短)	Felt	1	1
32	/	滑块	Square block	2	2
33	/	导向板	Guide plate	2	2

7. 下轴、送布轴部件 / LOWER SHAFT AND FEED ROCK SHAFT MECHANISM



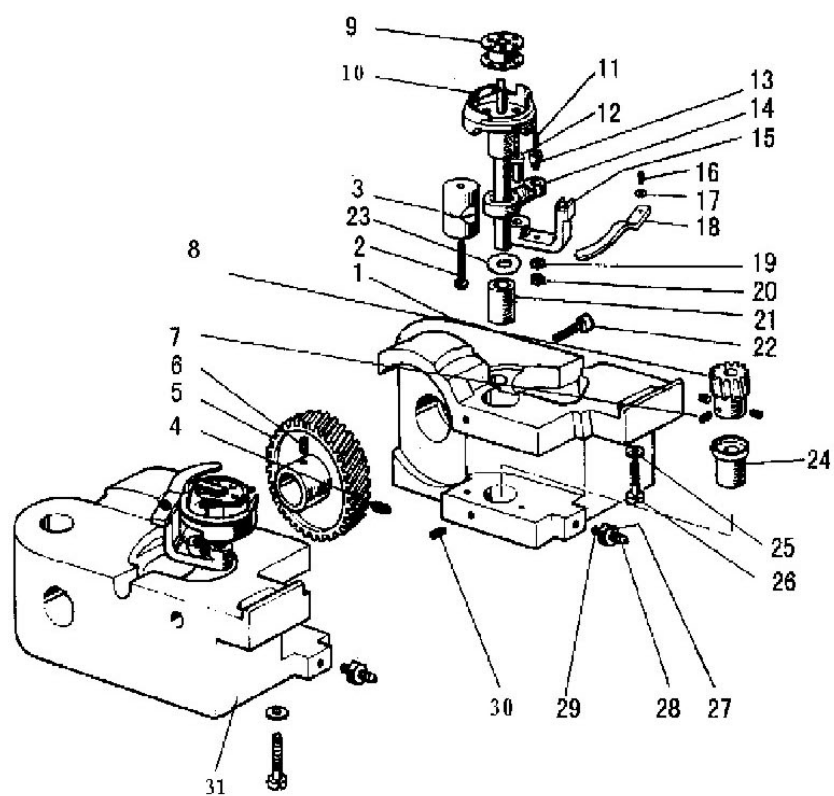
平缝系列>LS4420 LS4400 >7.下轴、送布轴部件

LOWER SHAFT AND FEED ROCK SHAFT MECHANISM

序号 NO	品号CODE	名称	NAME	数量 AMT	
				4400	4420
1	PF44200701	下轴轴套(左)	Lower shaft bushing (left)	1	1
2	/	油线	Oil wick	1	1
3	PF44200703	下轴	Lower shaft	1	1
4	PF44200704	拾牙凸轮	Feed eccentric cam	1	1
5	PF20520905	紧定螺钉	Screw	2	2
6	PF44200706	下轴轴套(右)	Lower shaft bushing (right)	1	1
7	/	油绳	Oil wick	1	1
8	/	挡圈	E-type stop ring	3	3
9	PF44200709	复位弹簧	Spring	1	1
10	PF44200710	复位按钮	Push button	1	1
11	PF6150312	送布凸轮紧定螺钉	Screw	2	2
12	PF4420Z0701	送布凸轮	Feed eccentric cam	1	1
13	/	送布凸轮连杆	Feed connecting rod	1	1
14	/	轴承	Needle bearing	1	1
15	/	C型挡圈	C-type stop ring	1	1
16	/	油线	Oil wick	1	1
17	PF44200717	送布凸轮连杆销	Shaft	1	1
18	PF44200718	下轴轴套(中)组件	Bushing complete (middle)	1	1
19	PF44200719	轴套	Bushing	1	1
20	PF5550625	轴套紧定螺钉	Screw	1	1
21	PF20520922	轴用挡圈	C-type stop ring	1	1
22	PF44200722	轴承	Ball bearing	1	1
23	PF44200723	挡板	Bearing holder	1	1
24	PF20520102	挡板螺钉	Screw	3	3
25	PF44200725	垫圈	Washer	1	1
26	PF44200726	送布曲柄螺钉	Screw	1	1
27	PF44200727	调节螺母	Nut	1	1
28	PF44200728	送布曲柄(右)	Feed connecting crank (right)	1	1
29	PF0302646	圆柱头螺钉	Screw	2	2
30	PF20520940	送布轴轴套	Feed rock shaft bushing	2	2
31	/	紧定螺钉	Screw	2	2
32	PF6150512	送布轴紧圈	Collar	2	2
33	PF5550625	送布轴紧圈螺钉	Screw	4	4
34	PF44200735	送布曲柄(中)	Feed connecting crank (middle)	1	1
35	PF44200736	连杆	Link	1	1
36	PF44200738	连杆销	Pin	1	1
37	/	油线	Oil wick	1	1
38	PF20520938	送布轴	Feed rock shaft	1	1
39	/	羊毛毡	Felt	2	2
40	PF6150507	牙架曲柄螺钉	Screw	2	2
41	PF20520942	牙架曲柄	Feed bar crank	1	1
42	/	油线	Oil wick	1	1
43	PF20520929	牙架曲柄轴	Feed bar shaft	1	1

44	PF2052082301	内六角紧定螺钉	Screw	1	1
45	PF20520926	牙架	Feed bar		1
	PF44000750	牙架	Feed bar	1	
46	PF20520945	六角螺栓	Screw	1	1
47	/	垫圈	Washer	1	1
48	PF20520952	内六角螺钉	Screw	2	2
49	PF20520947	内六角紧定螺钉	Screw		1
50	PF20520948	螺母	Nut		1
51	PF20520951	圆柱头螺钉	Screw	1	1
52	PF68425K43	羊毛毡	Felt	1	1
53	PF44200757	拾牙曲柄牙叉	Feed bar connecting fork	1	1

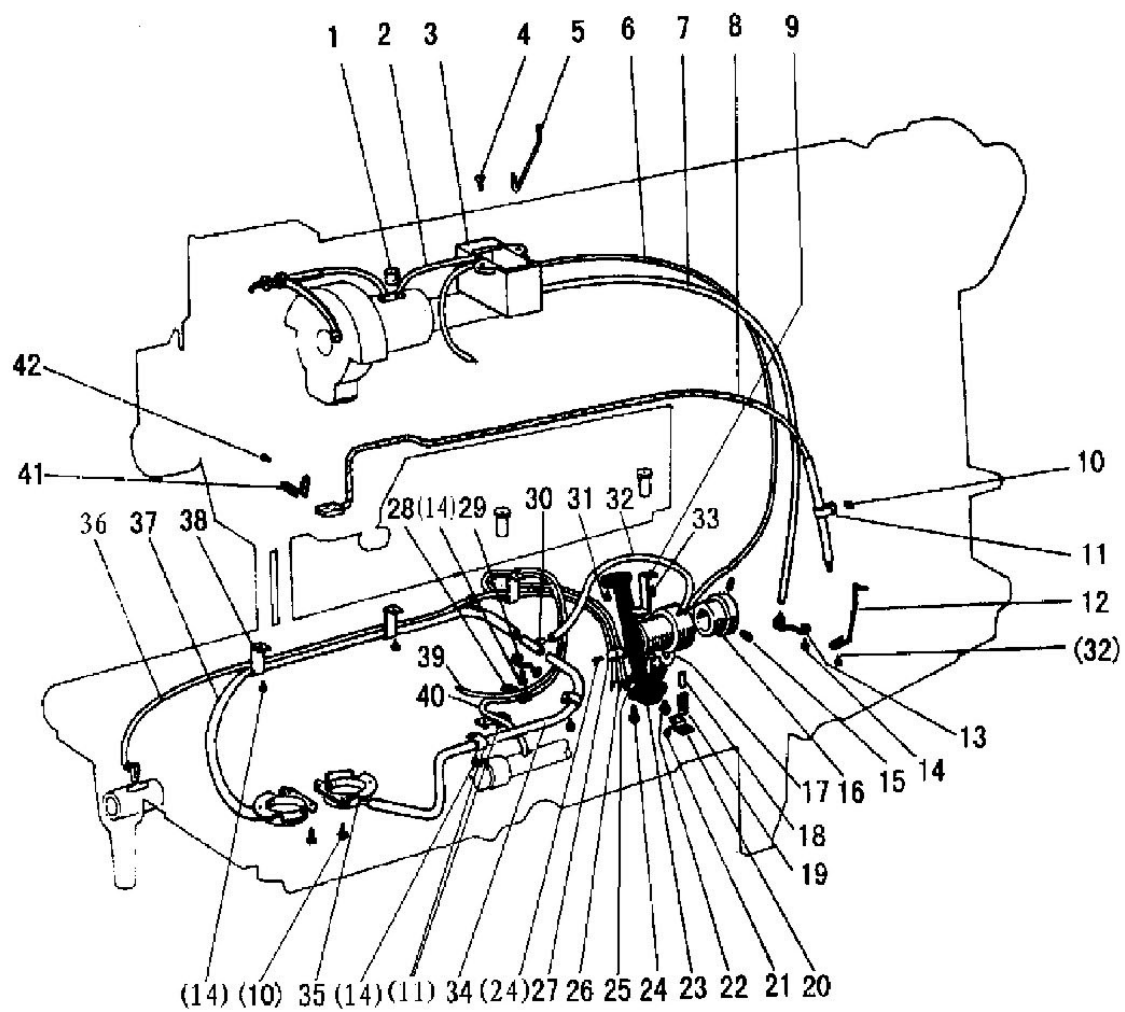
8. 旋梭部件 / HOOK SADDLE MECHANISM



平缝系列>LS4420 LS4400 >8.旋梭部件 / HOOK SADDLE MECHANISM

序号 NO	品号CODE	名称	NAME	数量 AMT	
				4400	4420
1	PF2052H1001	旋梭台（右）	Hook saddle (right)	1	1
2	PF68425H2701	圆柱头螺钉	Screw	1	2
3	PF68425H27	旋梭台锁紧块	Sleeve assembly	1	2
4	/	大齿轮定位螺钉	Screw	4	8
5	PF44200805	旋梭台大齿轮	Hook driving gear (large)	1	2
6	/	大齿轮紧定螺钉	Screw	1	2
7	PF6150304	小齿轮紧定螺钉	Screw	3	6
8	PF44200808	旋梭台小齿轮	Hook driving gear (small)	1	2
9	PF68725H41	梭心	Bobbin	1	2
10	PF44200811	旋梭组件	Hook complete	1	2
11	/	油线	Oil wick	2	4
12	PF20521010	拨线勾支架轴	Opener bracket shaft	1	2
13	PF20521011	特殊螺钉	Screw	1	2
14	PF2052H1012	支架连杆	Link	1	2
15	PF2052H1013	拨线勾支架	Opener bracket	1	2
16	PF68425H52	摆动连杆轴螺钉	Screw	1	2
17	/	垫圈	Washer	1	2
18	PF2052H1018	旋梭拨线勾	Opener	1	2
19	/	弹簧垫圈	Spring washer	1	2
20	PF20521015	牙架连杆铰链轴螺母	Nut	1	2
21	PF2052H1002	旋梭轴轴套（上）	Hook shaft bushing (upper)	1	2
22	PF20521019	内六角螺钉	Screw	1	2
23	PF2052100403	垫片	Washer	1	2
24	PF20521023	旋梭轴轴套（下）	Hook shaft bushing (lower)	1	2
25	/	垫圈	Washer	1	2
26	PF20521025	圆柱头螺钉	Screw	1	2
27	PF20521027	调节螺母	Nut	1	2
28	PF20521026	特殊螺钉	Screw	1	2
29	/	波形垫圈	Spring washer	1	2
30	PF6150405	送布轴轴套螺钉	Screw	2	4
31	PF2052H1032	旋梭台（左）	Hook saddle (left)		1

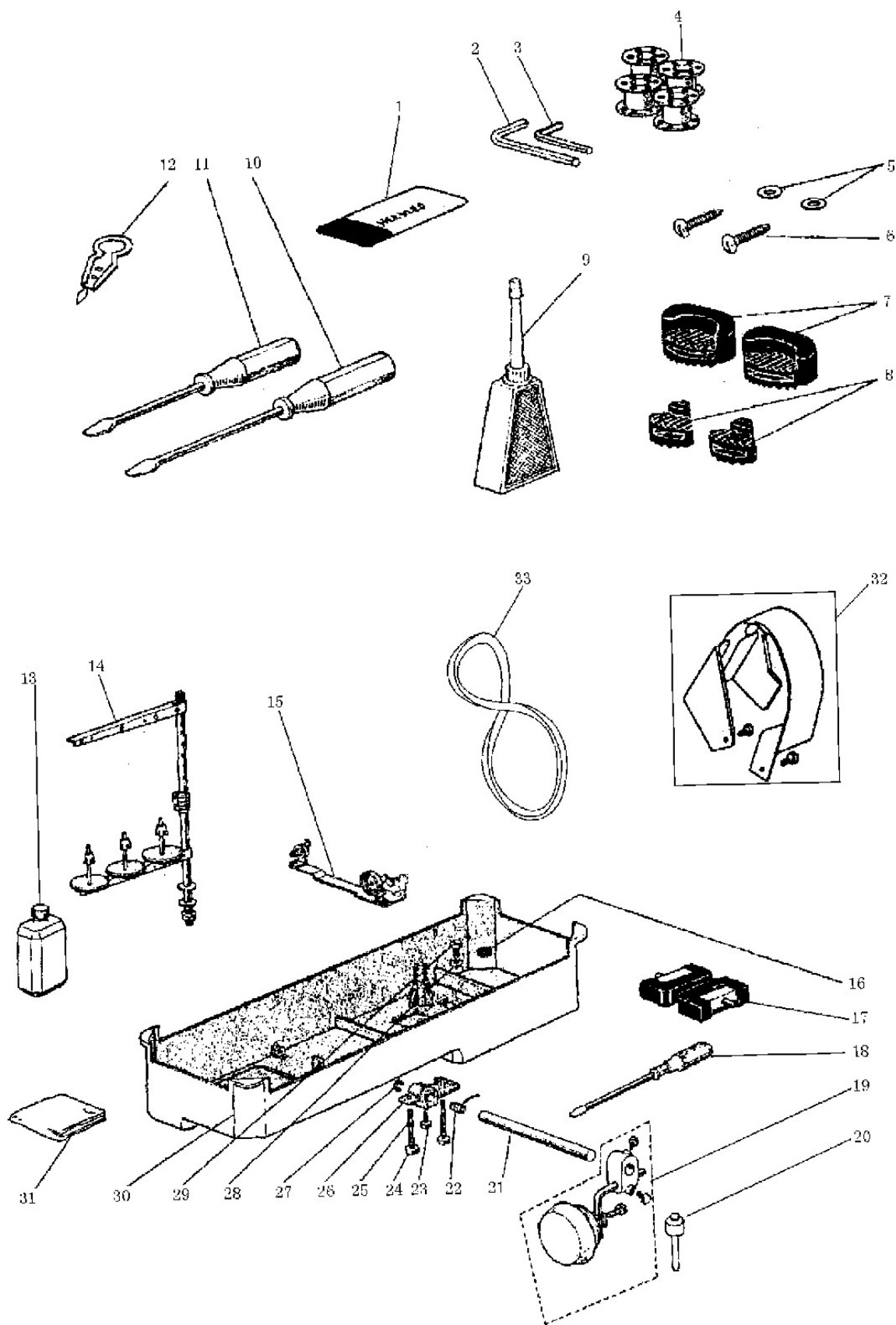
9. 润滑部件 / OIL LUBRICATION MECHANISM



平缝系列>LS4420 LS4400 >9.润滑部件 / OIL LUBRICATION MECHANISM

序号 NO	品号CODE	名称	NAME	数量 AMT	
				4400	4420
1	PF20521104	羊毛毡	Felt	1	1
2	/	油管组件	Oil pipe complete	1	1
3	PF20521107	油盒组件	Oil reservoir complete	1	1
4	PF20521109	螺钉 (镀锌)	Screw	2	2
5	PF20521160	油管夹	Holder	1	1
6	/	油管 $\Phi 3 \times 1 \times 480$	Oil pipe	1	1
7	/	油管 $\Phi 5 \times 1 \times 420$	Oil pipe	1	1
8	/	回油管组件	Oil reflux complete	1	1
9	PF44200909	滤油器固定夹	Filter holder	1	1
10	/	油管夹固定螺钉	Screw	4	7
11	PF20521118	机头回油管固定夹	Holder	5	4
12	PF44200913	油管夹	Holder	1	1
13	PF20521119	油管夹	Holder	1	1
14	/	油管夹螺钉	Screw	9	9
15	PF7810638	轴套紧定螺钉	Screw	2	2
16	PF44200917	轴套	Bushing	1	1
17	/	油管	Oil pipe	1	1
18	PF20521126	柱塞	Pin	1	1
19	PF20521127	柱塞弹簧	Spring	1	1
20	PF20521128	柱塞弹簧挡板	Spring holder	1	1
21	PF20521129	挡板安装螺钉	Screw	1	1
22	PF20521130	圆柱头螺钉	Screw	1	1
23	PF20521131	过滤板	Filter	1	1
24	PF20521132	圆柱头螺钉	Screw	2	2
25	PF44200926	油管板组件	Mounting plate complete	1	1
26	PF6150539	油线夹	Clip	1	1
27	PF20521134	油管夹	Holder	1	1
28	PF44200928	油管夹	Holder	1	1
29	PF20521148	油管夹	Holder		1
30	PF20521149	三通油管组件	Oil pipe joint		1
31	PF6150107	安装板固定螺钉	Screw	2	2
32	/	油管 $\Phi 3 \times 1 \times 120$	Oil pipe		1
33	PF20520107	后盖板螺钉组件	Screw	2	2
34	/	油管 $\Phi 3 \times 1 \times 420$	Oil pipe	1	
	/	油管 $\Phi 3 \times 1 \times 320$	Oil pipe		1
35	PF20521141	供油管盖组件	Oil reservoir complete	1	2
36	/	油管组件	Oil pipe complete	1	1
37	/	油管 $\Phi 3 \times 1 \times 425$	Oil pipe		1
38	PF20521147	油管夹	Holder	3	3
39	/	油管组件	Oil pipe complete	1	1
40	/	油管组件	Oil pipe complete	1	1
41	PF44200944	油管夹	Spring	1	1
42	PF9000. 8108	挑线杆防护罩螺钉	Screw	1	1

10. 附件 / ACCESSORIES



平缝系列>LS4420 LS4400 >10.附件 / ACCESSORIES

序号 NO	品号CODE	名称	NAME	数量 AMT	
				4400	4420
1	PFDTDP1723	机针 DP×17 23#	Needle	1包	1包
2	PF68425Z108	内六角扳手 (3mm)	Socket wrench	1	1
3	PF68425Z109	内六角扳手 (2.5mm)	Socket wrench	1	1
4	PF68725H42	梭心	Bobbin	2	4
5	/	垫圈	Washer	2	2
6	/	绕线器木螺钉	Screw	4	4
7	PF555099	防振垫块	Vibration preventing rubber	2	2
8	PF555098	防振垫块	Vibration preventing rubber	2	2
9	PF61501105	小油壶	Oiler	1	1
10	PF55501017	螺钉起子 (中)	Screw driver (middle)	1	1
11	PF55501018	螺钉起子 (小)	Screw driver (small)	1	1
12	PF20521210	穿线器组件	Tread a needle kit	1	1
13	PF55501022	油箱	Oil can	1	1
14	PF68425Z217	线架组件	Thread stand	1	1
15	PF61501001	绕线器组件	Bobbin winder	1	1
16	PF555097	小磁块	Magnet block for reservoir	1	1
17	PF5550101	机壳铰链组件	Hinge complete	2	2
18	PF68425Z104	螺钉起子 (大)	Screw driver (large)	1	1
19	/	碰块小组件	Small parts	1	1
20	PF20521227	膝控提升顶杆组件	Knee lifer pin	1	1
21	PF20521229	膝控铰链轴	Knee lifer shaft	1	1
22	PF6150907	膝控复位弹簧	Spring	1	1
23	/	碰块弯杆接头螺钉	Bolt	1	1
24	PF20521232	调节螺母	Nut	2	2
25	PF20521233	膝控限位调节螺钉	Screw	2	2
26	PF20521234	膝控提升杠杆曲柄	Knee lifer crank	1	1
27	GB/T896	E型挡圈 9	E-type stop ring	1	1
28	PF20521224	放油螺钉垫圈	Washer	1	1
29	PF6150902	放油螺钉	Screw	1	1
30	PF20521222	油盘	Oil reservoir	1	1
31	PF5550102001	机罩	Machine cover	1	1
32	PF44201032	皮带罩大组件	Belt cover complete	1	1
33	PF5550102403	三角皮带	Belt	1	1